



instruction manual

NOTE

This manual documents the Model 8022A and its assemblies at the revision levels shown in Appendix A. If your instrument contains assemblies with different revision letters, it will be necessary for you to either update or backdate this manual. Refer to the supplemental change/errata sheet for newer assemblies, or to the backdating sheet in Appendix A for older assemblies.

8022A

Digital Multimeter

P/N 515767

April 1979

For the benefit and convenience of its customers, Fluke Corporation (Fluke) has reproduced this copy of a manual which is no longer in production. This manual has not been edited or updated since the revision date shown on the *lower left hand corner of the first page*. Fluke will not be liable for any claims, losses or damages of any kind incurred by any user arising from use of this manual.

Dear Customer:

Congratulations! We at Fluke are proud to present you with the Model 8022A Multimeter. This instrument represents the very latest in integrated circuit and display technology. As a result, the end product is a rugged and reliable instrument whose performance and design exhibit the qualities of a finely engineered lab instrument.

To fully appreciate and protect your investment, we suggest that you take a few moments to read the manual. As always, Fluke stands behind your 8022A with a full 1-year warranty and a worldwide service organization. If the need arises, please don't hesitate to call on us.

Thank you for your trust and confidence.

JOHN FLUKE MFG. CO., INC.

Table of Contents

SECTION	TITLE	PAGE
1	INTRODUCTION AND SPECIFICATIONS	1-1
	1-1. INTRODUCTION	1-1
	1-3. ACCESSORIES	1-2
	1-5. SPECIFICATIONS	1-2
2	OPERATING INSTRUCTIONS	2-1
	2-1. INTRODUCTION	2-1
	2-3. PREPARING FOR OPERATION	2-1
	2-5. Unpacking	2-1
	2-7. Battery Installation/Replacement	2-1
	2-9. PHYSICAL FEATURES	2-3
	2-11. OPERATING NOTES	2-3
	2-13. Input Overload Protection	2-3
	2-15. Input Connections to COMMON	2-6
	2-17. Fuse Replacement	2-6
	2-19. The Display	2-7
	2-23. OPERATION	2-7
	2-25. INITIAL CHECK-OUT PROCEDURE	2-13
	2-27. MEASUREMENT TECHNIQUES	2-14
	2-29. AC Measurements	2-14
	2-31. Voltage AC/DC	2-14
	2-34. Current AC/DC	2-16
	2-38. Resistance	2-17
3	THEORY OF OPERATION	3-1
	3-1. INTRODUCTION	3-1
	3-3. OVERALL FUNCTIONAL DESCRIPTION	3-1
	3-8. BLOCK DIAGRAM ANALYSIS	3-3
	3-9. A/D Converter	3-3
	3-18. Input Signal Conditioners	3-6

Table of Contents

SECTION	TITLE	PAGE
1	INTRODUCTION AND SPECIFICATIONS	1-1
	1-1. INTRODUCTION	1-1
	1-3. ACCESSORIES	1-2
	1-5. SPECIFICATIONS	1-2
2	OPERATING INSTRUCTIONS	2-1
	2-1. INTRODUCTION	2-1
	2-3. PREPARING FOR OPERATION	2-1
	2-5. Unpacking	2-1
	2-7. Battery Installation/Replacement	2-1
	2-9. PHYSICAL FEATURES	2-3
	2-11. OPERATING NOTES	2-3
	2-13. Input Overload Protection	2-3
	2-15. Input Connections to COMMON	2-6
	2-17. Fuse Replacement	2-6
	2-19. The Display	2-7
	2-23. OPERATION	2-7
	2-25. INITIAL CHECK-OUT PROCEDURE	2-13
	2-27. MEASUREMENT TECHNIQUES	2-14
	2-29. AC Measurements	2-14
	2-31. Voltage AC/DC	2-14
	2-34. Current AC/DC	2-16
	2-38. Resistance	2-17
3	THEORY OF OPERATION	3-1
	3-1. INTRODUCTION	3-1
	3-3. OVERALL FUNCTIONAL DESCRIPTION	3-1
	3-8. BLOCK DIAGRAM ANALYSIS	3-3
	3-9. A/D Converter	3-3
	3-18. Input Signal Conditioners	3-6

TABLE OF CONTENTS - continued

SECTION	TITLE	PAGE
4	MAINTENANCE	4-1
	4-1. INTRODUCTION	4-1
	4-3. SERVICE INFORMATION	4-1
	4-7. GENERAL INFORMATION	4-2
	4-8. Access Information	4-2
	4-17. Cleaning	4-5
	4-19. Battery/Fuse Replacement	4-5
	4-21. PERFORMANCE TEST	4-5
	4-23. Initial Procedure	4-5
	4-25. Display Test	4-6
	4-27. Resistance Test	4-6
	4-29. DC Voltage Test	4-7
	4-31. AC Voltage Test	4-7
	4-33. DC Current Test	4-8
	4-35. CALIBRATION	4-9
	4-38. TROUBLESHOOTING	4-10
5	LIST OF REPLACEABLE PARTS	5-1
	5-1. INTRODUCTION	5-1
	5-4. HOW TO OBTAIN PARTS	5-2
6	OPTIONS AND ACCESSORIES	6-1
	6-1. INTRODUCTION	6-1
	6-3. DELUXE CARRYING CASE	6-1
	6-5. TEMPERATURE PROBE (80T-150)	6-1
	6-6. Introduction	6-1
	6-8. Specifications	6-1
	6-9. CURRENT TRANSFORMER (80I-600)	6-4
	6-10. Introduction	6-4
	6-12. Specifications	6-4
	6-13. HIGH VOLTAGE PROBE (80K-40)	6-4
	6-14. Introduction	6-4
	6-16. Specifications	6-4
	6-17. HIGH FREQUENCY PROBE (81RF)	6-4
	6-18. Introduction	6-4
	6-20. Specifications	6-5
	6-21. HIGH FREQUENCY PROBE (82RF)	6-5
	6-22. Introduction	6-5
	6-25. Specifications	6-5
	6-26. BATTERY ELIMINATOR (A81)	6-5
	6-28. CURRENT SHUNT (80J-10)	6-6
	6-29. Introduction	6-6
	6-31. Specifications	6-6
7	SCHEMATIC DIAGRAMS	7-1
	APPENDIX A	A-1

List of Tables

TABLE	TITLE	PAGE
1-1.	8022A Accessories	1-2
1-2.	8022A Specifications	1-2
2-1.	Controls, Indicators and Connectors	2-4
2-2.	Model 8022A Overload Limits	2-6
2-3.	Voltage/Current Capability of Resistance Ranges	2-19
4-1.	List of Recommended Test Equipment	4-2
4-2.	Resistance Checks	4-6
4-3.	DC Voltage Checks	4-7
4-4.	AC Voltage Checks	4-8
4-5.	DC Current (mA) Checks	4-8
4-6.	Troubleshooting Guide	4-10
5-1.	8022A Final Assembly	5-3
5-2.	A2 Case Assembly	5-4
5-3.	A1 Main PCB Assembly	5-6
5-4.	Federal Supply Codes for Manufacturers	5-10
5-5.	Fluke Technical Service Centers	5-10
5-6.	Sales and Service Locations (International)	5-10
6-1.	A81 Model Numbers for Various Input Power Configurations	6-6

List of Illustrations

FIGURE	TITLE	PAGE
2-1.	Removing the Battery Cover	2-2
2-2.	Battery Clip and Fuse Holder	2-3
2-3.	Controls, Indicators and Connectors	2-4
2-4.	DC Volts (DC V) Operation	2-8
2-5.	AC Volts (AC V) Operation	2-9
2-6.	Direct Current (DC mA) Operation	2-10
2-7.	Alternating Current (AC mA) Operation	2-11
2-8.	Resistance ($k\Omega$) Operation	2-12
2-9.	Waveform Conversion	2-15
2-10.	Voltage Measurement Error Calculations (Loading Error)	2-16
2-11.	Current Measurement Error Calculations	2-18
3-1.	Model 8022A Simplified Block Diagram	3-2
3-2.	Dual Slope A/D Converter	3-4
3-3.	Input Signal Conditioners	3-7
4-1.	Calibration Adjustment Locations	4-3
5-1.	8022A Final Assembly	5-5
5-2.	AI Main PCB Assembly	5-9
6-1.	Model 8022A Accessories	6-2

Section 1

Introduction & Specifications

1-1. INTRODUCTION

1-2. Your John Fluke Model 8022A is a pocket-sized digital multimeter that is ideally suited for application in the field, lab, shop or home. Your 8022A offers all standard VOM measurement functions: AC and DC volts, Alternating and Direct Current, and Resistance. Some of the features of your instrument are:

- 3 1/2 digit liquid crystal display, a high contrast display that can be read easily from across the room. No more worries about bent needles, parallax, etc.
- Each range has:
 - Full auto-polarity operation.
 - Overrange indication.
 - Effective protection for overloads and transients.
- Dual slope integration measurement technique to insure fast, accurate, noise-free measurements.
- Long term calibration stability - 1 year. Easy calibration - few adjustments.
- Lightweight - 369 grams (13 ounces).
- Up to 200 hours of continuous operation can be expected from a single, inexpensive, 9V, alkaline battery (transistor radio/calculator type).
- Low battery voltage automatically detected and displayed.
- Line operation is possible using a Model A81 Battery Eliminator (see Section 6, Accessories).
- Protected test leads - offer less chance of measured signal exposure at the DMM input terminals than standard banana test lead tips.
- A full line of accessories that extend the range and scope of your instrument.

1-3. ACCESSORIES

1-4. Table 1-1 lists the accessories available for use with the Model 8022A. Detailed information about each accessory is provided in Section 6.

1-5. SPECIFICATIONS

1-6. Table 1-2 lists the 8022A specifications. These specifications assume a 1 year calibration cycle and an operating temperature of 18°C to 28°C (64°F to 82°F) at relative humidity up to 90% unless otherwise noted.

Table 1-1. 8022A Accessories

ACCESSORY	DESCRIPTION
C90	Deluxe Carrying Case
80T-150	Temperature Probe
80I-600	Current Transformer
80K-40	High Voltage Probe
81RF	High Frequency Probe
82RF	High Frequency Probe
80J-10	Current Shunt
A81	Battery Eliminator

Table 1-2. 8022A Specifications

ELECTRICAL: The following specifications assume a 1-year calibration cycle and an operating temperature of 18°C to 28°C (64°F to 82°F) at relative humidity up to 90%, unless otherwise noted.

Functions: DC Volts, AC Volts, DC Current, Resistance.

DC VOLTS:

RANGE	RESOLUTION	ACCURACY for 1-Year
±200 mV	100 μ V	±(0.25% of reading +1 digit)
±2V	1 mV	
±20V	10 mV	
±200V	100 mV	
±1000V	1V	

Overvoltage Protection: 1000V dc or peak ac on all ranges.

Input Impedance: 10 M Ω , all ranges.

Normal Mode Rejection Ratio: >60 dB at 50 Hz and 60 Hz.

Table 1-2. 8022A Specifications (cont)

Common Mode Rejection Ratio (1 k Ω unbalance): >100 dB at dc, 50 Hz and 60 Hz.

AC VOLTS:

RANGE	RESOLUTION	ACCURACY
		45 Hz to 450 Hz
200 mV	100 μ V	\pm (1% of reading +3 digits)
2V	1 mV	
20V	10 mV	
200V	0.1V	
750V	1V	

Overload Protection: 750V rms or 1000V peak continuous, not to exceed the volt-hertz produce to 10⁷ except 200 mV ac ranges (15 seconds maximum above 300V rms ac).

Common Mode Noise Rejection Ratio (1 k Ω unbalance): >60 dB at 50 Hz and 60 Hz.

Input Impedance: 10 M Ω in parallel with < 100 pF.

DC CURRENT:

RANGE	RESOLUTION	ACCURACY for 1-Year	BURDEN VOLTAGE
2 mA	1 μ A	\pm (0.75% of reading +1 digit)	0.25V rms max.
20 mA	10 μ A		
200 mA	100 μ A		0.7V rms max.
2000 mA	1 mA		

Overload Protection: 2A/250V.

AC CURRENT:

RANGE	RESOLUTION	ACCURACY for 1-Year	BURDEN VOLTAGE
		45 Hz to 450 Hz	
2 mA	1 μ A	\pm (2% of reading +3 digits)	0.25V rms max.
20 mA	10 μ A		
200 mA	100 μ A		0.7V rms max.
2000 mA	1 mA		

Table 1-2. 8022A Specifications (cont)

Overload Protection: 2A/250V fuse.

RESISTANCE:

RANGE	RESOLUTION	ACCURACY for 1-Year	FULL-SCALE VOLTAGE	MAXIMUM TEST CURRENT
200Ω \rightarrow	0.1Ω	$\pm(0.3\%$ of reading +3 digits)	<0.25V	.35 mA
2 kΩ	1Ω	$\pm(0.2\%$ of reading +1 digit)	>1.0V	1.1 mA
20 kΩ \rightarrow	10Ω		<0.25V	13 μ A
200 kΩ	100Ω		>0.7V	13 μ A
2000 kΩ	1 kΩ	$\pm(2\%$ of reading +1 digit)	<0.25V	0.13 μ A
20 MΩ \rightarrow	10 kΩ		>.7V	0.13 μ A

Overload Protection: 500V dc/ac rms on all ranges.

Open Circuit Voltage: Less than 1.5V on all ranges except 2 kΩ range is less than 3.5V.

Diode Test: These three ranges have enough open circuit voltage to turn silicon junctions on, to check for proper forward-to-back resistance. The 2 kΩ range is preferred and is marked with the larger diode symbol. The three non-diode test ranges will not turn on silicon junctions so in-circuit resistance measurements can be made with these ranges.

ENVIRONMENTAL

Temperature: 0°C to 50°C (32°F to 122°F) operating.
-35°C to +60°C (-31°F to 140°F) storage.

Relative Humidity: 0 to 80%, 0°C to 35°C (32-95°F) on 2000 kΩ range.
0 to 90%, 0°C to 35°C (32-95°F) on all other ranges.
0 to 70%, 35°C to 50°C (95-122°F) on 20 MΩ range.

Temperature Coefficient: <0.1 times the applicable accuracy specification per °C for 0°C to 18°C and 28°C to 50°C (32°F to 64.4°F and 50.4°F to 122°F).

GENERAL:

Maximum Common Mode Voltage: 500V dc/rms ac.

Power Requirements: Single 9V battery, NEDA 1604

Battery Life: Alkaline: 200 hours typical.
Zinc Carbon: 100 hours typical.

Table 1-2. 8022A Specifications (cont)

Battery Indicator: "BT" on display illuminates when approximately 20% of battery life remains.

Display: 3 1/2 digit LCD (2,000 count), autozero, autopolarity.

Size: L x W x H: 18.0 cm x 8.6 cm x 4.5 cm
(7.1 in x 3.4 in x 1.8 in)

Weight: 0.37 kg. (13 oz.)

Section 2

Operating Instructions

2-1. INTRODUCTION

2-2. To fully utilize the measurement capabilities of your 8022A, a basic understanding of its measurement techniques and limitations is required. This section of the manual provides that information. For additional application or operation literature, write or call the John Fluke Mfg. Co., Inc.; P.O. Box 43210, Mountlake Terrace, WA 98043; telephone (206) 774-2211.

2-3. PREPARING FOR OPERATION

2-4. Unpacking

2-5. Your 8022A was packed and shipped in a container especially designed to protect your DMM. This manual, your multimeter, one 9V battery, and two test leads (one red and one black) should be packed in the shipping container. Check your shipment thoroughly. If anything is wrong with your shipment, or if your instrument was damaged during shipping, contact the place of purchase immediately. If satisfaction is not obtained, contact the nearest John Fluke Service Center. A list of these service centers is located at the rear of this manual.

2-6. If reshipment is necessary, please use the original shipping container. If the original container is not available, a new one can be obtained from the John Fluke Mfg. Co., Inc. Please state the instrument model number when requesting a new shipping container.

2-7. Battery Installation/Replacement

2-8. Your 8022A is designed to operate on a single, inexpensive, 9V battery of the transistor radio/calculator variety (NEDA 1604). When you receive your 8022A, the battery will not be installed in the DMM. Once the battery is installed, you can expect a typical operating life of up to 200 hours with an alkaline battery or 100 hours with a carbon-zinc battery. When the battery has exhausted about 80% of its useful life, the BT indicator will appear in the upper left corner of the display. Your 8022A will operate properly for at least 20 hours after BT appears. Use the following procedure to install or replace the battery.

WARNING

BATTERY REPLACEMENT SHOULD ONLY BE PERFORMED AFTER THE INPUT SIGNAL AND TEST LEADS HAVE BEEN REMOVED FROM THE INPUT TERMINALS, AND THE POWER SWITCH IS SET TO OFF.

1. Set the 8022A power switch to OFF.
2. Remove test leads from external circuit connections and from the 8022A input terminals.
3. Open the battery compartment on the bottom of the 8022A using the method shown in Figure 2-1.
4. Extend the battery by sliding it toward the connector end until it can be tilted out.
5. Carefully pull the battery clip free from the battery terminals as shown in Figure 2-2.
6. Press the battery clip onto the replacement battery and return both to the battery compartment.
7. Make sure the battery and its leads are fully within the confines of the battery compartment before sliding the cover into place.

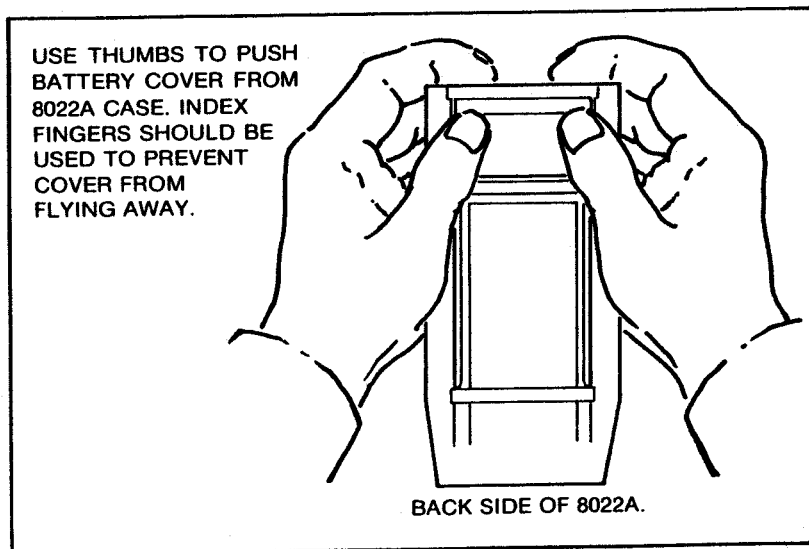


Figure 2-1. Removing Battery Cover

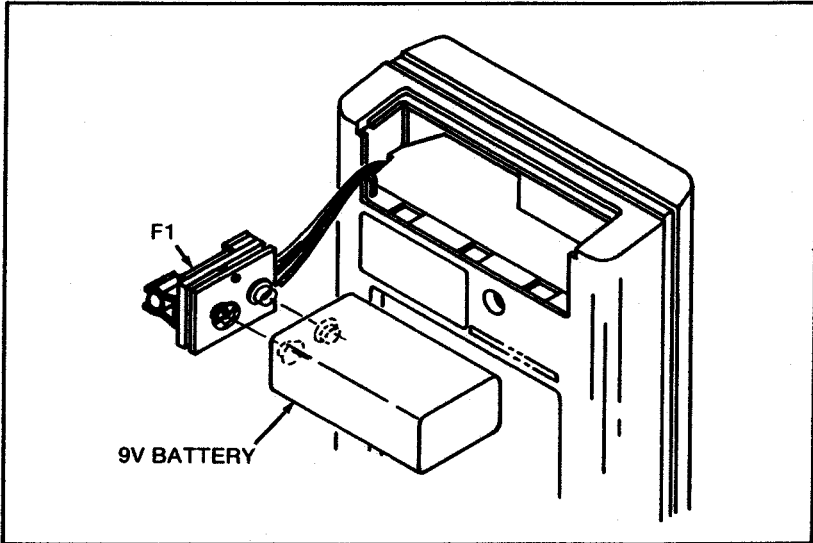


Figure 2-2. Battery Clip and Fuse Holder

WARNING

DO NOT OPERATE THE 8022A UNTIL THE BATTERY COVER IS IN PLACE AND FULLY CLOSED.

2-9. PHYSICAL FEATURES

2-10. Before you try to use your 8022A, we suggest that you take a few minutes to get acquainted with your instrument. All of the externally accessible physical features of your 8022A are shown in Figure 2-3 and described in Table 2-1. Locate each feature on your 8022A as you read the description.

2-11. OPERATING NOTES

2-12. The following paragraphs should familiarize you with the capabilities and limitations of your Model 8022A and instruct you in routine operator maintenance.

2-13. Input Overload Protection

CAUTION

Exceeding the maximum input overload limits can damage the Model 8022A.

2-14. Each measurement function and its associated ranges are equipped with input overload protection. The overload limits for each function and range are given in Table 2-2.

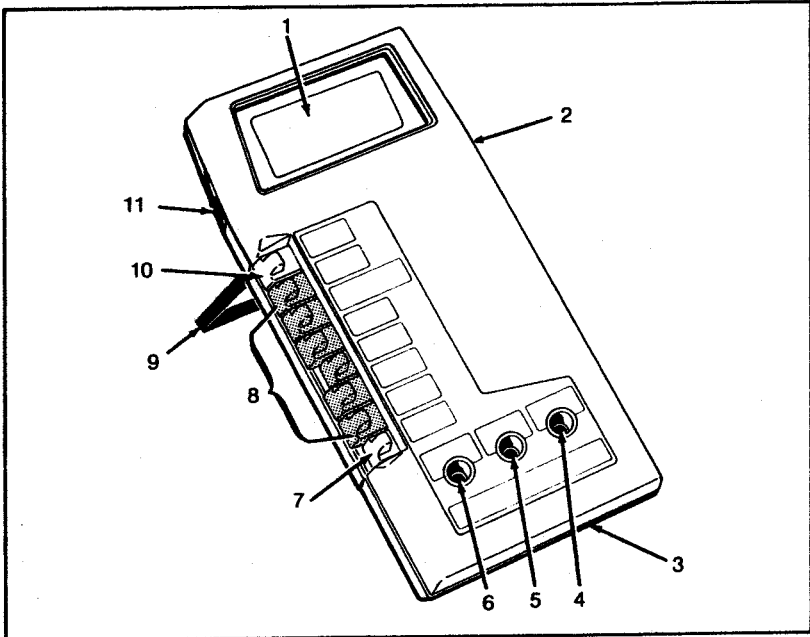


Figure 2-3. Controls, Indicators and Connectors

Table 2-1. Controls, Indicators, and Connectors

ITEM NO.	NAME	FUNCTION
1	Display	A 3 1/2 digit display (1999 max) with decimal point and minus polarity indication. Used to indicate measured input values, overrange condition and low battery condition.
2	Battery Eliminator Connector	An external input power connector for use with the Model A81 Battery Eliminator accessory. (A81 is available in a variety of voltage and plug configurations. See Section 6.)
3	Battery Compartment and Cover	Cover for the 9V battery and the current-protection fuse. The cover is removed by pushing it away from the case screw.
4	V/k Ω Input Connector	Protected test lead connector used as the high input for all voltage and resistance measurements. This

Table 2-1. Controls, Indicators and Connectors (cont)

ITEM NO.	NAME	FUNCTION
4	(cont)	connector will accept standard banana plugs.
5	COMMON Input Connector	Protected test lead connector used as the low or common input for all measurements. This connector will accept standard banana plugs.
6	mA Input Connector	Protected test lead connector used as the high input for all current measurements. This connector will accept standard banana plugs.
7	mA/V-k Ω Switch	A push-push switch (push on - push off, do not pull to select function) which operates in conjunction with the high input connectors to select either the mA/V or k Ω measurement functions. When in or depressed it selects k Ω . The out position selects mA or V depending upon the location of the high input lead.
8	Range Switches	<p>Interlocked push-button switches for selecting ranges, i.e., pressing the desired range switch selects that range and cancels previous switch depressions. Do not pull switches to select a range.</p> <p>Voltage: 200 mV, 2V, 20V, 200V, 1000V dc/750V ac Current: 2 mA, 20 mA, 200 mA, 2000 mA Resistance: 200Ω, 2 kΩ, 20 kΩ, 200 kΩ, 2000 kΩ, 20 MΩ</p>
9	Tilt Bail	A removable fold-out stand which allows the instrument to be either tilted for bench-top applications or hung from a hook in the absence of a work surface.
10	DC/AC Switch	A push-push switch (push on - push off, do not pull to select function) used to select the ac or dc measurement function when measuring current or voltage. When in, or depressed, the ac function is selected. Out selects dc.

Table 2-1. Controls, Indicators and Connectors (cont)

ITEM NO.	NAME	FUNCTION
10	(cont)	Switch may be in either position when making resistance measurements.
11	Power Switch	A slide switch used to turn the instrument off and on.

Table 2-2. Model 8022A Overload Limits

SELECTED FUNCTION	SELECTED RANGE	INPUT CONNECTIONS	MAX INPUT OVERLOAD
V dc or V ac	200 mV, 2V, 2V, 200V, 750V ac, 1000V dc	V/k Ω and COMMON	1000V dc or peak ac on dc ranges. 1000V dc or 750V rms on ac ranges - 15 seconds max on 200 mV ac range.
mA dc or mA ac	2 mA, 20 mA, 200 mA, 2000 mA	mA and COMMON	2A max. Fuse protected in circuits with open voltage \leq 250V dc/rms ac. Do not use above 250V dc or rms ac.
k Ω	200 Ω , 2 k Ω , 20 k Ω , 200 k Ω , 2000 k Ω , 20 M Ω	V/k Ω and COMMON	500V dc or rms ac.
ANY	ANY	COMMON	500V dc/rms ac with respect to earth ground.

2-15. Input Connections to COMMON**WARNING**

TO AVOID ELECTRICAL SHOCK AND/OR INSTRUMENT DAMAGE, DO NOT CONNECT THE COMMON INPUT TERMINAL TO ANY SOURCE OF MORE THAN 500 VOLTS DC OR RMS AC ABOVE EARTH GROUND.

2-16. The 8022A may be operated with the COMMON input terminal at a potential of up to 500V dc or 500V rms ac above earth ground. If this limit is exceeded, instrument damage may occur. This, in turn, may result in a safety hazard for the operator.

2-17. Fuse Replacement

2-18. All ranges of the ac and dc current measurement functions of your 8022A are fuse protected from inadvertent application of current in excess of 2 amps. The fuse is located on the back of the battery clip. Use the Battery Installation/Replacement procedure (presented earlier in this section) to gain access to the fuse. Replace the defective fuse with type AGX2. (Instruments that accommodate metric fuses use type 171100-2).

WARNING

DO NOT OPERATE THE 8022A UNTIL THE BATTERY COVER IS IN PLACE AND FULLY CLOSED.

2-19. The Display

2-20. The Front Panel Display on your 8022A is a 3 1/2 digit liquid crystal display. The displayed value can range from 000 through 1999. For convenience, in discussion, the 1999 is rounded to 2000. The decimal point position is determined by selected range and is not affected by the measurement function selected. Polarity, on the other hand, is only used for the dc voltage and current measurement functions. A minus sign indicates that the input signal is negative with respect to the COMMON input terminal. Positive inputs are indicated by the absence of the minus sign.

NOTE

The minus sign (-) may flash momentarily as the 8022A comes out of an overrange condition. This will most likely be seen in the ohms mode as the open circuit test leads are applied to an in-range resistance value. If the minus sign remains on for in-range ohms readings, the circuit is live (a negative voltage is present at the input terminals due to charged capacitors, etc.) and incorrect resistance readings will be observed.

2-21. The Display has two abnormal status indicators, low battery power and instrument overrange. A "BT" is displayed when approximately 80% of the battery's life is exhausted (battery replacement is indicated) and a "1" followed by three blanked digits is displayed (decimal point may be present) as an overrange indication. This does not necessarily mean that the instrument is being exposed to a damaging input condition. For example, when measuring resistance an open-input will cause an overrange indication.

2-22. The liquid crystal display used in the 8022A is a rugged and reliable unit which will give years of satisfactory service. Display life can be extended by observing the following practices:

1. Protect the display from extended exposure to bright sunlight.
2. Keep the voltmeter out of high temperature, high humidity environments, such as, the dash of a car on a hot, sunny day, otherwise the display may temporarily turn black. Recovery occurs at normal operating temperature.
3. Note that the display operation may be slowed in extremely low temperature environments. No damage will occur to the LCD, but response time is greatly increased. Recovery occurs at normal operating temperature.

2-23. OPERATION

2-24. The five figures, 2-4 through 2-8, each illustrate one of the five measurement functions of the Model 8022A. Each figure has two parts. The top part shows your 8022A as it should look when ready to perform that type of measurement. The bottom part of the figure lists, in sequential order, the steps you should perform to make that type of measurement with your 8022A. To operate your 8022A, turn to the OPERATION figure corresponding to the measurement function desired and perform the steps listed in the figure. Operate the Model 8022A in accordance with the Input Overload Protection and the Input Connections to COMMON portions of the Operating Notes presented earlier in this section.

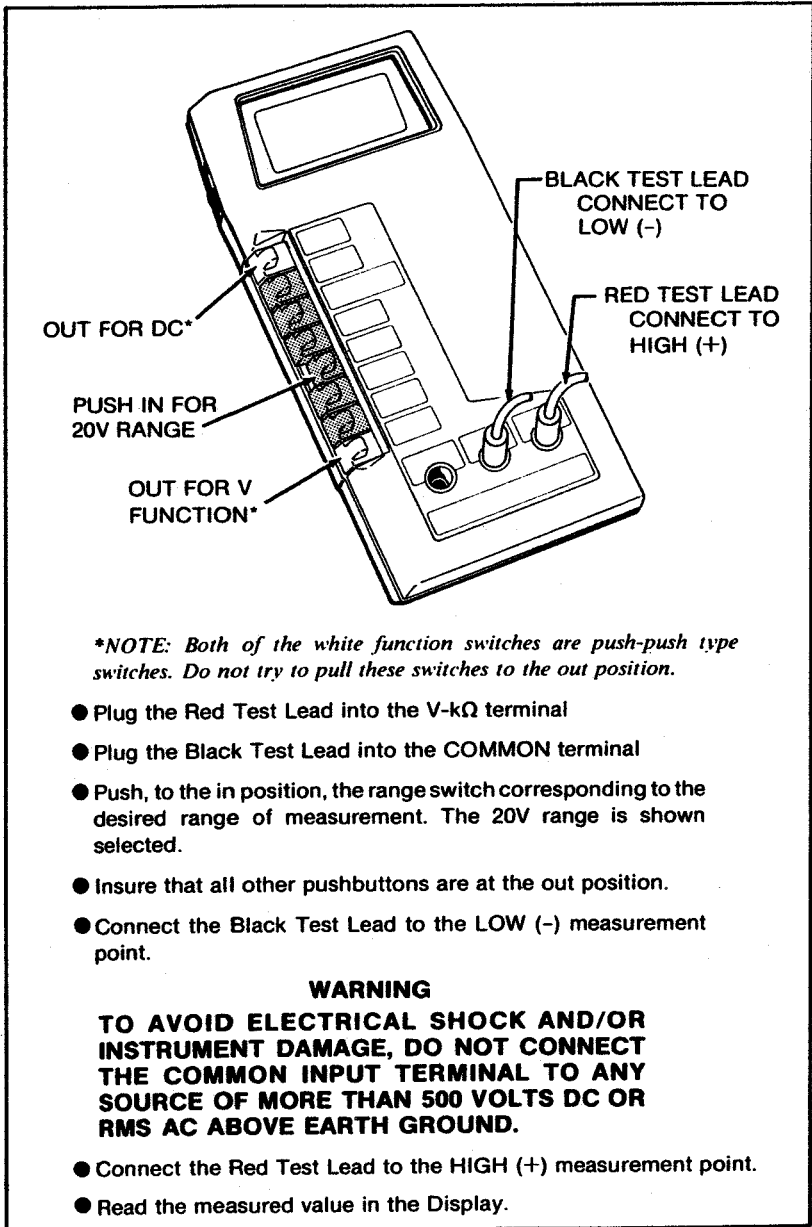
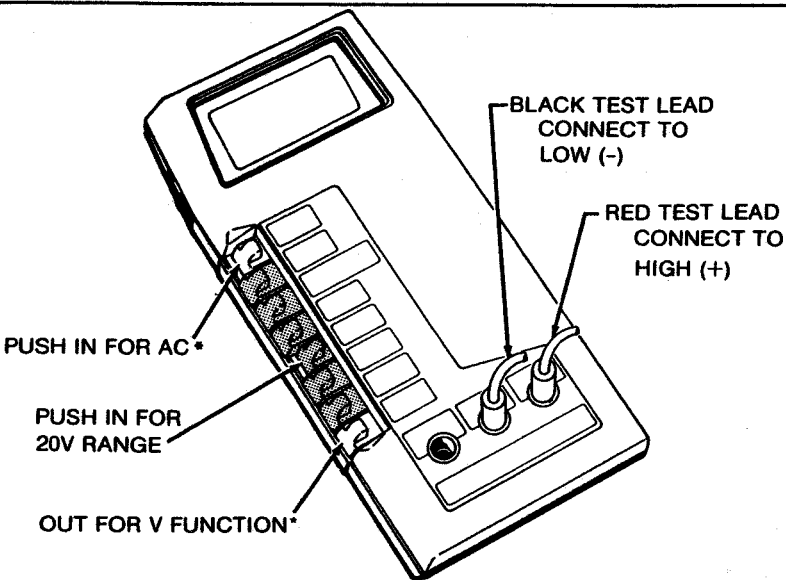


Figure 2-4. DC Volts (DC V) Operation



**NOTE: Both of the white function switches are push-push type switches. Do not try to pull these switches to the out position.*

- Plug the Red Test Lead into the V- Ω terminal.
- Plug the Black Test Lead into the COMMON terminal.
- Push the AC-DC pushbutton to the in position.
- Push, to the in position, the range switch corresponding to the desired range of measurement. The 20V range is shown selected.
- Insure that all other pushbuttons are at the out position.
- Connect the Black Test Lead to the LOW (-) measurement point.

WARNING

TO AVOID ELECTRICAL SHOCK AND/OR INSTRUMENT DAMAGE, DO NOT CONNECT THE COMMON INPUT TERMINAL TO ANY SOURCE OF MORE THAN 500 VOLTS DC OR RMS AC ABOVE GROUND.

- Connect the Red Test Lead to the HIGH (+) measurement point.
- Read the measured value in the Display.

Figure 2-5. AC Volts (AC V) Operation

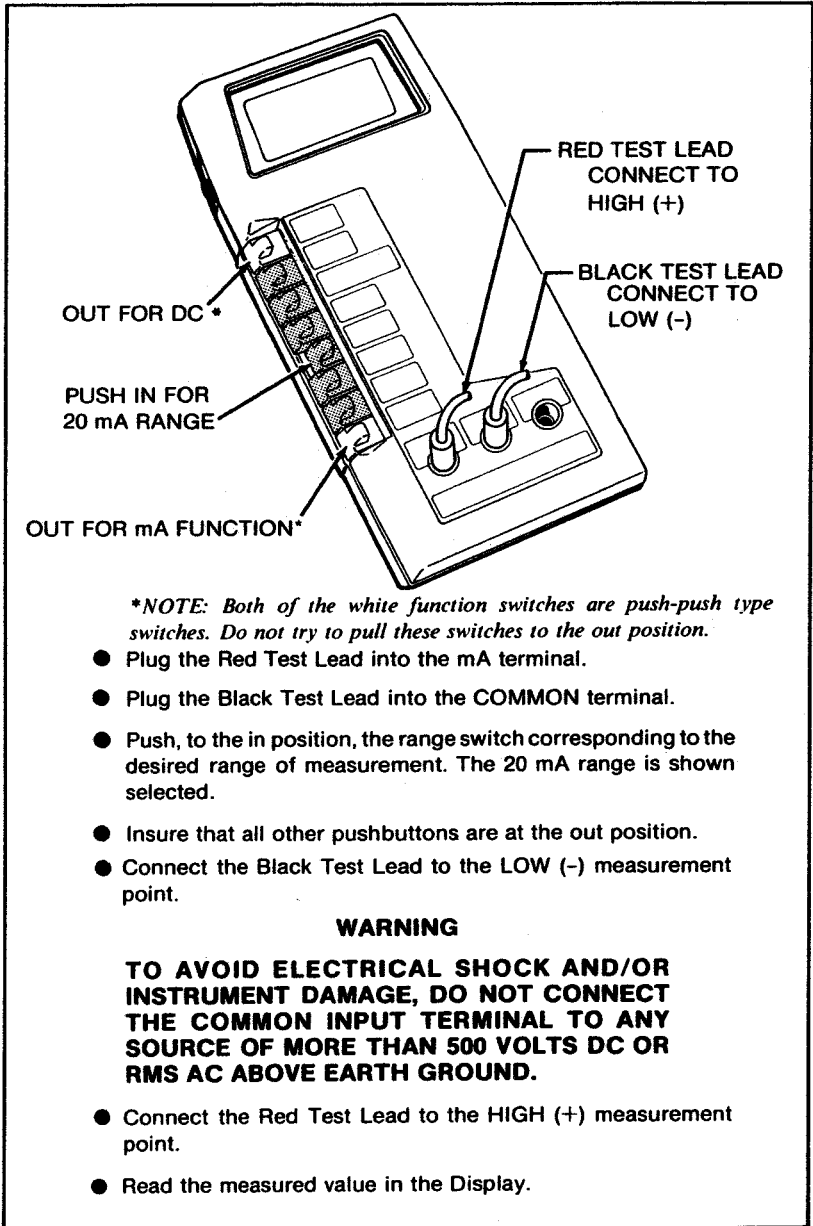


Figure 2-6. Direct Current (DC mA) Operation

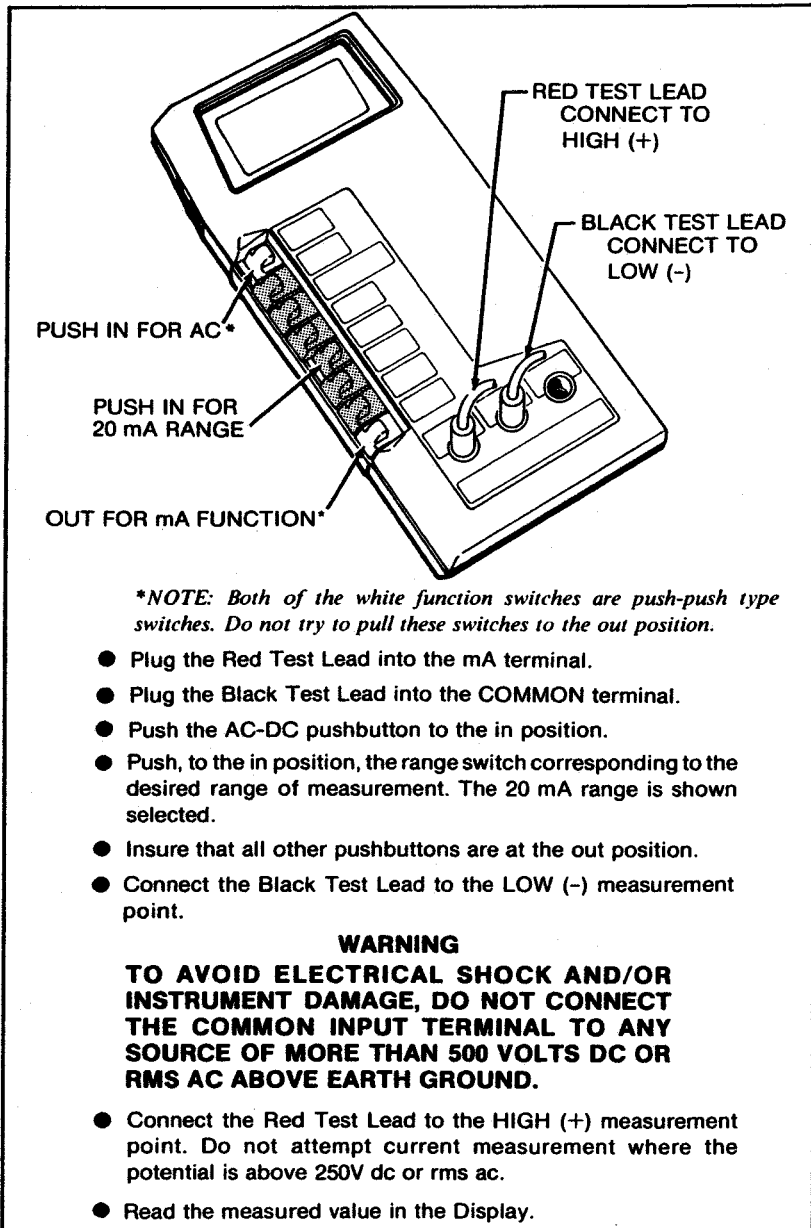


Figure 2-7. Alternating Current (AC mA) Operation

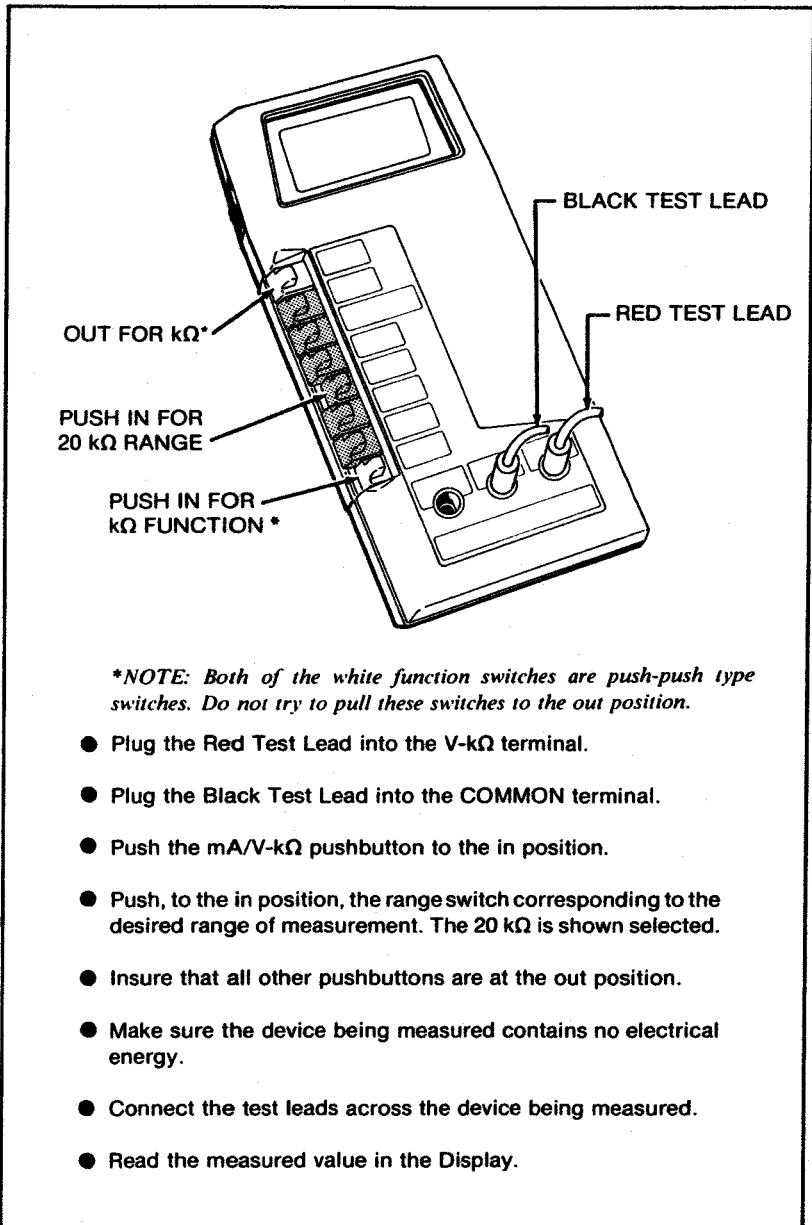


Figure 2-8. Resistance ($k\Omega$) Operation

2-25. INITIAL CHECK-OUT PROCEDURE

2-26. Now that you have installed the battery, and know where everything is, and how it works, let's make sure that the unit is working properly. We'll run through a simple check-out procedure starting with turn-on. No equipment other than test leads will be required. If a problem is encountered, please check the battery, fuse, switch settings, and test lead connections before contacting your nearest John Fluke Service Center.

NOTE

This procedure is intended to verify overall instrument operation, and is not meant as a substitute for the formal Performance Test given in Section 4. Limits shown exceed the specifications because the procedure uses one measurement function to check another.

1. Set the power switch to OFF and all range and function switches to the released (out) position.
2. Set the power switch to ON and observe the display. It should read 00.0 ± 0.1 .
3. Connect the red test lead to the V/k Ω input terminal.
4. Touch the red probe tip to the COMMON input terminal, and sequentially depress each of the six grey range switches starting at the top (20 M Ω). The display should read zero ± 1 digit and the decimal point should be positioned as follows:
 1. 20 M Ω - 0.00
 2. 2000 k Ω - 000
 3. 200 k Ω - 00.0
 4. 20 k Ω - 0.00
 5. 2 k Ω - .000
 6. 200 Ω - 00.0
5. Press the 20V range switch and remove the probe from the COMMON input terminal.
6. Depress the lower white button (k Ω) and sequentially depress each of the six ranges switches. The display should read 1 as the most significant digit with no other numbers shown. This is the standard overrange indication. Notice that the decimal point changes position with the range switch settings just as it did in step 4 of this procedure.
7. Touch the red probe tip to the COMMON input terminal, and sequentially press each of the grey range buttons. The display should read zero at each range setting. Lead resistance may be sufficient to cause a one or two tenths (0.1 or 0.2 Ω) indication on the 200 Ω range.
8. Touch the red probe tip to the mA input connector and press the 200 Ω switch. The display should read 99.0 to 101.0.

8022A

9. Press the 2 k Ω switch. The display should read .099 to .101. Remove the probe from the mA input connector.
10. Depress both the AC/DC switch and the 750V ac range switch. Set the mA/V-k Ω switch to the voltage (out) position.

WARNING

THE LOCAL LINE VOLTAGE IS MEASURED IN THE FOLLOWING STEP. BE CAREFUL NOT TO TOUCH THE PROBE TIPS WITH FINGERS, OR TO ALLOW THE PROBE TIPS TO CONTACT EACH OTHER.

11. Measure the local ac line voltage at a convenient output receptacle. The voltage should be displayed with 1 volt resolution.
12. If the 8022A has responded properly to this point, it is operational and ready for use.

2-27. MEASUREMENT TECHNIQUES

2-28. The concluding paragraphs of this section offer you techniques that improve the measurement accuracy of your 8022A. While these techniques are in general use throughout the electronics industry, these paragraphs offer specific information for use with your 8022A.

2-29. AC Measurement

2-30. The ac ranges of the 8022A employ an average responding ac converter. This means that the unit measures the average value of the input, and displays it as an equivalent rms value for a sine wave. As a result, measurement errors are introduced when the input wave form is distorted (non-sinusoidal). The amount of error depends upon the amount of distortion. Figure 2-9 shows the relationship between sine, square and triangular waveforms, and the required conversion factors.

2-31. Voltage AC/DC

2-32. The 8022A is equipped with five ac and five dc voltage ranges; 200 mV, 2V, 20V, 200V, 750V ac/1000V dc. All ranges present an input impedance of 10 M Ω . On the ac ranges, this is shunted by less than 100 pF. When making measurements, be careful not to exceed the overload limits given earlier in Table 2-2.

2-33. Measurement errors, due to circuit loading, can result when making either ac or dc voltage measurements on circuits with high source resistance. However, in most cases the error is negligible ($\leq 0.1\%$) as long as the source resistance of the measurement circuit is 10 k Ω or less. If circuit loading does present a problem, the percentage of error can be calculated using the appropriate formula in Figure 2-10.

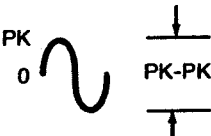
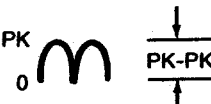



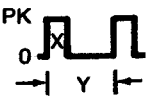
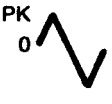
INPUT WAVEFORM	DISPLAY MULTIPLIER FOR MEASUREMENT CONVERSION			
	PK-PK	0-PK	RMS	AVG
SINE 	2.828	1.414	1.000	0.900
RECTIFIED SINE (FULL WAVE) 	1.414	1.414	1.000	0.900
RECTIFIED SINE (HALF WAVE) 	2.828	2.828	1.414	0.900
SQUARE 	1.800	0.900	0.900	0.900
RECTIFIED SQUARE 	1.800	1.800	1.272	0.900
RECTANGULAR PULSE 	$0.9/D$	$0.9/D$	$0.9/D^{1/2}$	$0.9D$
TRIANGLE SAWTOOTH 	3.600	1.800	1.038	0.900

Figure 2-9. Waveform Conversion

1. DC VOLTAGE MEASUREMENTS

$$\text{Loading Error in \%} = 100 \times R_s (R_s + 10^7)$$

Where: R_s = Source resistance in ohms of circuit being measured.

2. AC VOLTAGE MEASUREMENTS

First, determine input impedance, as follows:

$$Z_{in} = \frac{10^7}{\sqrt{1 + (2 F R_{in} C)^2}}$$

Where: Z_{in} = effective input impedance

R_{in} = 10^7 ohms

C_{in} = 100×10^{-12} Farads

F = frequency in Hz

Then, determine source loading error as follows:

$$\text{Loading Error in \%} = 100 \times \frac{Z_s}{R_s + Z_{in}}$$

Where: Z_s = source impedance

Z_{in} = input impedance (calculated)

R_s = source resistance

Figure 2-10. Voltage Measurement Error Calculations (Loading Error)

2-34. Current AC/DC

2-35. Four ac and four dc current ranges are included on the 8022A; 2 mA, 20 mA, 200 mA and 2000 mA. Each range is diode protected to 2 amps and fuse protected above 2 amps. If the fuse blows, refer to fuse replacement information given earlier in this section.

2-36. In high electrical noise environments (near ignition switches, fluorescent lights, relay switches, etc.) unstable or erroneous readings (exceeding specifications) may occur. The effect is most obvious when measuring low level current on the 2 mA range. If an erratic or erroneous reading is suspected, temporarily jumper the V/k Ω connector to the mA connector. This will ensure an accurate measurement.

CAUTION

To avoid possible instrument damage and/or erroneous measurements remove the temporary V/k Ω -to-mA jumper before attempting voltage or resistance measurements.

WARNING

INSTRUMENT DAMAGE AND OPERATOR INJURY MAY RESULT IF THE FUSE BLOWS WHILE CURRENT IS BEING MEASURED IN A CIRCUIT WHICH EXHIBITS AN OPEN CIRCUIT VOLTAGE >250 VOLTS. TO PREVENT THIS POSSIBILITY, PLACE A SUITABLE MOUNTED AND INSULATED 1.5A FUSE OF THE PROPER VOLTAGE RATING (>250V) IN SERIES WITH THE HIGH (MA) INPUT LEAD.

2-37. Full-scale burden voltage (voltage drop across the fuse and current shunt) for all ranges except 2000 mA is less than 250 mV. The 200 mA range has a full-scale burden voltage of less than 700 mV. These voltage drops can affect the accuracy of a current measurement, if the current source is unregulated and the shunt plus fuse resistance represents a significant portion (1/1000 or more) of the source resistance. If burden voltage does present a problem, the percentage of error can be calculated using the formula in Figure 2-11. This error can be minimized by using the highest current range that gives the necessary resolution. For example, if 20 mA is measured on the 2000 mA range the burden voltage is approximately 5 mV.

2-38. Resistance

2-39. Six direct reading resistance scales are provided on the 8022A; 20 M Ω , 2000 k Ω , 200 k Ω , 20 k Ω , 2 k Ω and 200 Ω . All scales employ a two wire measurement technique. As a result, test lead resistance may influence measurement accuracy on the 200 Ω range. To determine the error, short the test leads together and read the lead resistance. Correct the measurement by subtracting the lead resistance from the unknown reading. The error is generally on the order of 0.2 to 0.3 ohms for a standard pair of test leads.

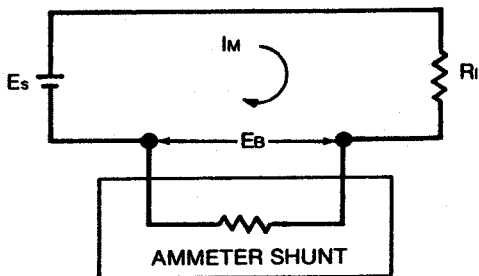
2-40. The three resistance ranges with a diode symbol beside the range value have a high enough open circuit voltage to turn a silicon junction on. These ranges - 2 k Ω , 200 k Ω , and 20 M Ω - can be used to check silicon diodes and transistors. The 2 k Ω range is preferred; it is marked with the largest diode symbol. On the ranges not marked with a diode symbol, the open circuit voltage is not high enough to turn a silicon junction on. Use these ranges to make in circuit resistance measurements. Maximum open circuit voltage and short circuit current for each resistance range is given in Table 2-3. All values shown are referenced to the COMMON input terminal; i.e., the V/k Ω terminal is positive.

NOTE

Any change (greater than one or two digits) in apparent resistance when test leads are reversed may indicate either the presence of a diode junction or a voltage in the circuit.

CAUTION

Turn test circuit power off and discharge all capacitors before attempting in-circuit resistance measurements.



E_S = Source voltage

R_L = Load resistance + Source resistance

I_M = Measured current (display reading in amps)

E_B = Burden voltage (calculated), i.e., Display reading

expressed as a % of full-scale ($100 \times \frac{\text{READING}}{\text{FULL-SCALE}}$) times full-scale burden voltage for selected range. See Table.

RANGE	MAXIMUM BURDEN VOLTAGE
2 mA to 200 mA	0.25V
2000 mA	0.7V

Current error due to Burden Voltage

$$\text{IN \%} = 100 \times \frac{E_B}{E_S - E_B}$$

$$\text{IN AMPS} = \frac{E_B \times I_M}{E_S - E_B}$$

Example: $E_S = 14V$, $R_L = 9\Omega$, $I_M = 1.496A$,

$$E_B = 100 \times \frac{1497}{2000} \times 0.7 \text{ (from Table =$$

$$74.9\% \text{ of } 0.7 = 0.524V$$

$$\text{Error in \%} = 100 \frac{.524}{14 - .524} = 100 \frac{.524}{13.48} = 3.89\%$$

Increase displayed current by 3.89% to obtain true current.

$$\text{Error in amps} = \frac{.524 \times 1.497}{14 - .524} = \frac{.784}{13.48} = .058A$$

Increase displayed current by 0.058A to obtain true current.

Figure 2-11. Current Measurement Error Calculations

Table 2-3. Voltage/Current Capability of Resistance Ranges

RANGE	FULL-SCALE VOLTAGE (TYPICAL)	SHORT CIRCUIT CURRENT (TYPICAL)
20 M Ω	+800 mV	+0.12 μ A
2000 k Ω	+200 mV	+0.12 μ A
200 k Ω	+800 mV	+12 μ A
20 k Ω	+200 mV	+12 μ A
2 k Ω	+1.1V	+1.0 mA
200 Ω	+55 mV	+0.3 mA

Section 3

Theory of Operation

3-1. INTRODUCTION

3-2 This section of the manual contains an overall functional description followed by a block diagram analysis of the 8022A. A detailed schematic of the 8022A appears in Section 7.

3-3. OVERALL FUNCTIONAL DESCRIPTION

3-4. The Model 8022A as shown in Figure 3-1, is a hand-held five function digital multimeter. It features a total of 24 measurement ranges (V dc, 5; V ac 5; k Ω , 6; mA dc, 4; and mA ac, 4), a high contrast, easy-to-read, 3 1/2 digit, liquid crystal display, long battery life (up to 200 hours); and overload protection for all ranges.

3-5. Operation centers around a custom LSI chip, U8, which is composed of a dual slope a/d converter and a display driver. Peripherals to U8 include range and function switches, input signal conditioners and the display. When an input signal is applied to the 8022A, it is routed through the range switches to one-of-four input signal conditioners as determined by the function switch setting. Each conditioner scales and, if necessary, rectifies the input so that an acceptable dc input level (-0.2 to +0.2V dc) is presented to the a/d converter.

3-6. Timing for the overall operation of the a/d converter is derived from an external quartz crystal whose frequency is a multiple of the local line frequency. This allows the conditioned dc input data to be integrated over a single line cycle, thus, optimizing both common mode and normal mode rejection.

3-7. Digitized measurement data is presented to the display as four decoded digits (seven segments) plus polarity. Decimal point position on the display is determined by the range switch settings.

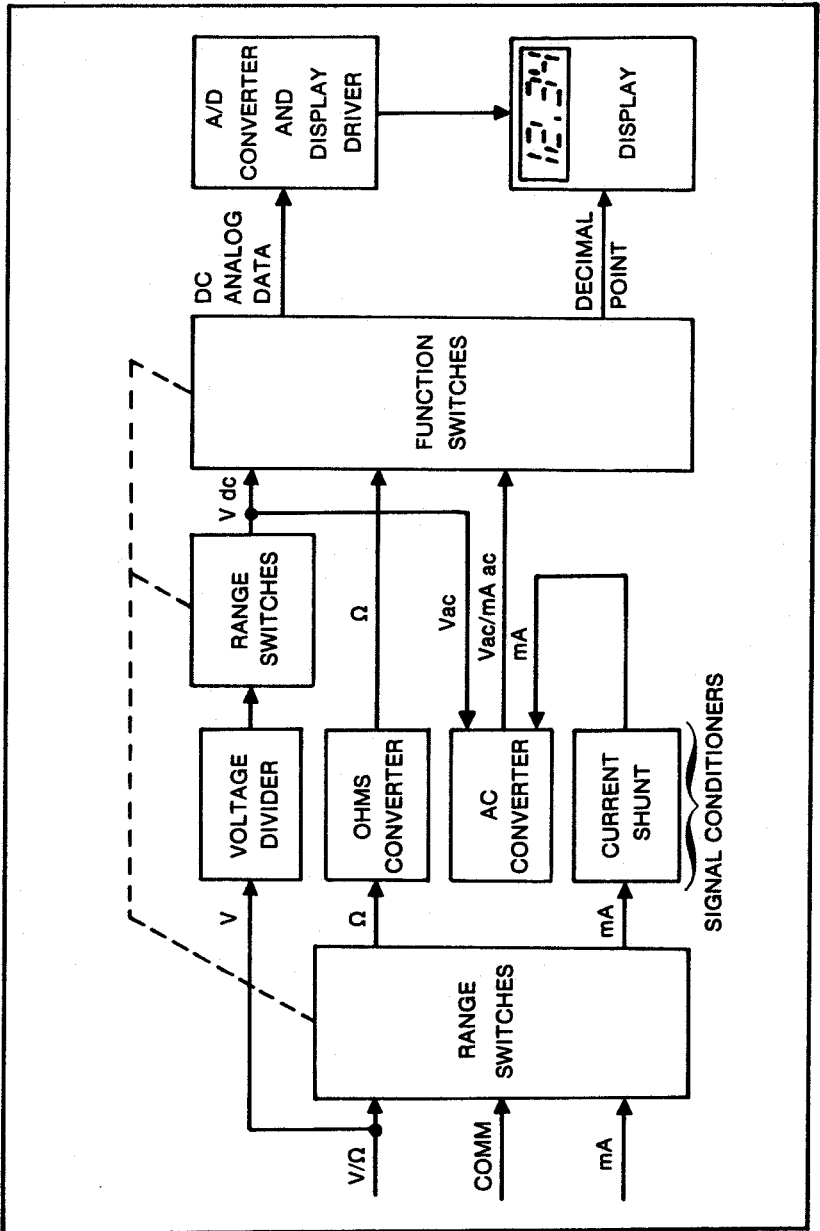


Figure 3-1. Model 8022A Simplified Block Diagram

3-8. BLOCK DIAGRAM ANALYSIS

3-9. A/D Converter

3-10. The entire analog-to-digital conversion process is accomplished by a single custom A/D Converter and Display Driver IC, U8. The IC employs the dual slope method of a/d conversion, and requires a series of external components to establish the basic timing and reference levels required for operation. These include an integrating capacitor, an autozero capacitor, and a flying capacitor (for applying a reference level of either polarity). Since the power consumed for display operation is very low, the a/d converter IC also contains the display latches, decoders and drivers.

3-11. The digital control portion of the a/d conversion process is an internal function of U8, and is keyed to the external crystal frequency. As a result, the conversion process is continuously repeated, and the display is updated at the end of every conversion cycle.

3-12. A simplified circuit diagram of the analog portion of the a/d converter is shown in Figure 3-2. Each of the switches shown represent analog gates which are operated by the digital section of the a/d converter. Basic timing for switch operation and, therefore, a complete measurement cycle is also included in the figure.

3-13. Any given measurement cycle performed by the a/d converter can be divided into three consecutive time periods, autozero (AZ), integrate (INTEG), and read. Both autozero and integrate are fixed time periods whose lengths are multiples of the clock frequency. A counter determines the length of both time periods by providing an overflow at the end of every 10,000 clock pulses. The read period is a variable time which is proportional to the unknown input voltage. The value of the voltage is determined by counting the number of clock pulses that occur during the read period.

3-14. During autozero a ground reference is applied as an input to the a/d converter. Under ideal conditions the output of the comparator would also go to zero. However, input-offset-voltage errors accumulate in the amplifier loop, and appear at the comparator output as an error voltage. This error is impressed across the AZ capacitor where it is stored for the remainder of the measurement cycle. The stored level is used to provide offset voltage correction during the integrate and read periods.

3-15. The integrate period begins at the end of the autozero period. As the period begins, the AZ switch opens and the INTEG switch closes. This applies the unknown input voltage to the input of the a/d converter. The voltage is buffered and passed on to the integrator to determine the charge rate (slope) on the INTEG capacitor. At the end of the fixed integrate period the capacitor is charged to a level proportional to the unknown input voltage. This voltage is translated to a digital indication by discharging the capacitor at a fixed rate during the read period, and counting the number of clock pulses that occur before it returns to the original autozero level.

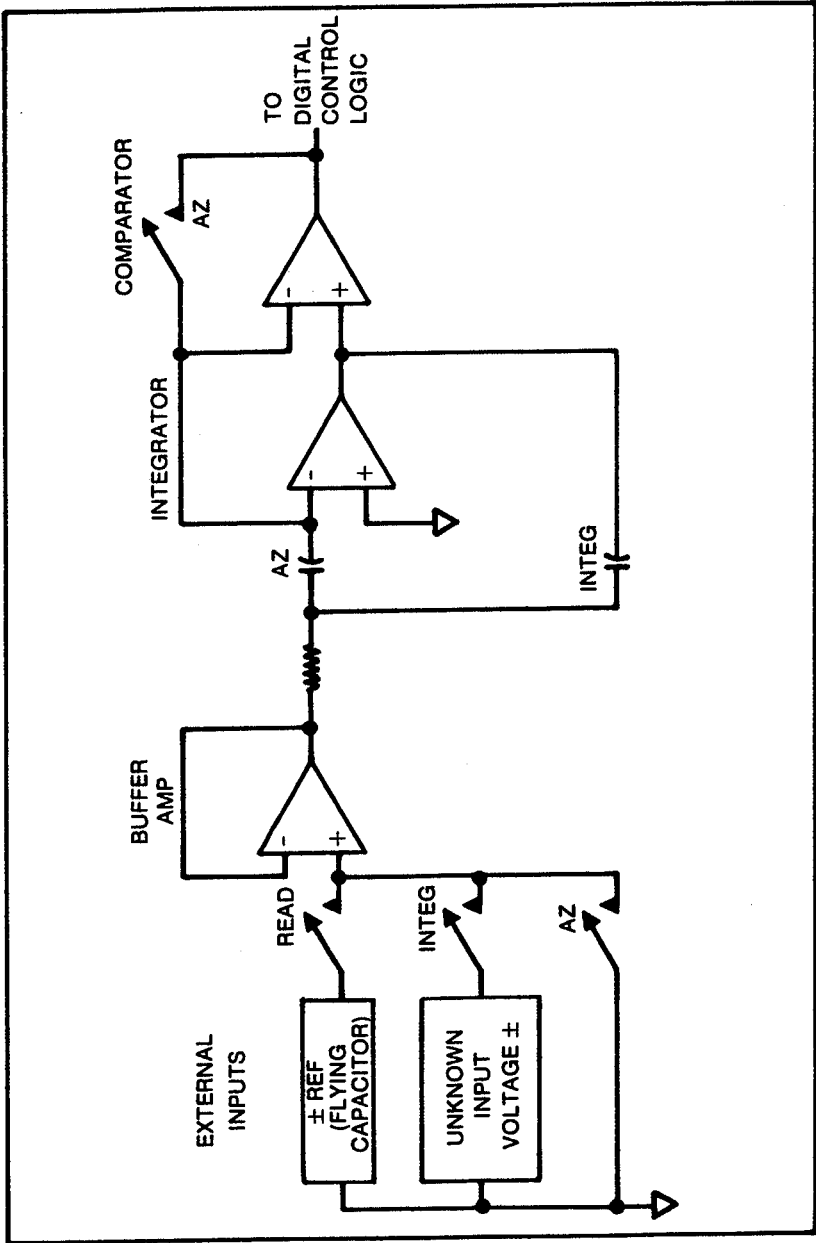


Figure 3-2. Dual Slope A/D Converter

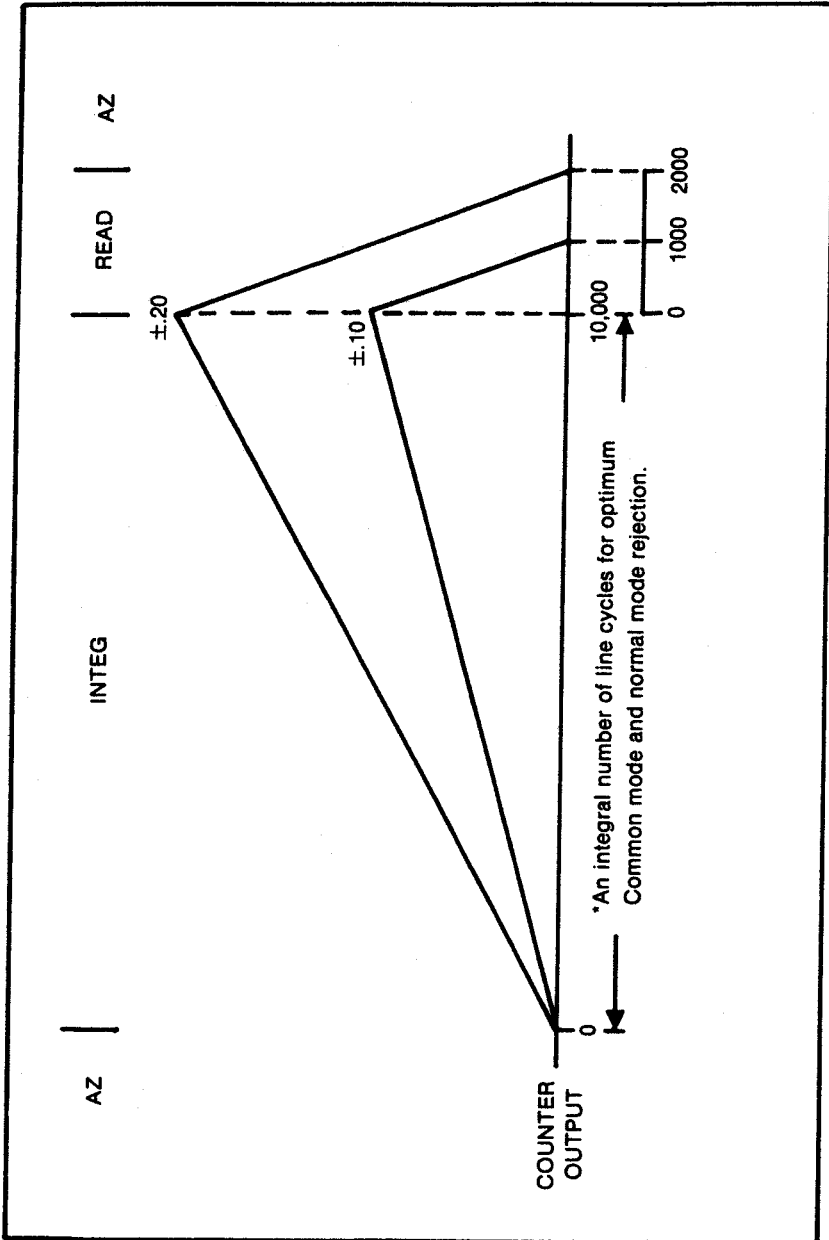


Figure 3-2. Dual Slope A/D Converter (cont)

8022A

3-16. As the read period begins, the INTEG switch opens and the read switch closes. This applies a known reference voltage to the input of the a/d converter. The polarity of this voltage is automatically selected to be opposite that of the unknown input voltage, thus, causing the INTEG capacitor to discharge at a fixed rate (slope). When the charge is equal to the initial starting point (autozero level), the read period is ended. Since the discharge slope is fixed during the read period, the time required for discharge is proportional to the unknown input voltage.

3-17. The autozero period and, thus, a new measurement cycle begins at the end of the read period. At the same time the counter is released for operation by transferring its contents (previous measurement value) to a series of latches. This stored data is then decoded and buffered before being used for driving the liquid crystal display.

3-18. Input Signal Conditioners

3-19. The a/d converter requires two externally supplied input voltages to complete a measurement cycle. One is reference voltage and the other is an unknown dc voltage within the range of -0.2 to $+0.2V$ dc. If the function being measured is other than a dc voltage within the ± 0.2 range, it must be scaled and/or conditioned before being presented to the a/d converter. For example, higher dc levels must be divided; ac inputs must be divided, rectified, and filtered; and resistance and current inputs must be scaled and converted to dc voltage levels. The following paragraphs describe the input signal conditioners used for each of the 8022A measurement functions. The descriptions are illustrated by Figure 3-3.

3-20. VOLTAGE MEASUREMENT

3-21. Both the ac and dc voltage ranges use an over-voltage-protected, $10\text{ M}\Omega$ input divider as shown in View A. Under normal conditions, assuming a dc input level on the proper range, the divider output is a -0.2 to $+0.2V$ dc signal, and is an exact (power-of-10) ratio of the input signal. If the VAC function is selected, the divider output is ac coupled to an active full-wave rectifier whose dc output is calibrated to equal the rms level of the ac inputs. The conditioned signal of the selected function (V ac or V dc) is then passed through a filter before being presented to the a/d converter as the unknown input.

3-22. CURRENT MEASUREMENT

3-23. Current measurements are made using a fuse protected, switchable, four-terminal current shunt (0.1Ω , 1Ω , 10Ω , or 100Ω) to perform the current-to-voltage conversion required by the a/d converter. See View B. The voltage ($I R$) drops produced across the selected shunt may be either ac or dc depending upon the selected function, mA AC or mA DC. If the input current is dc and the dc function is selected, the $I R$ drop is passed through a low-pass filter, and presented as the unknown input to the a/d converter. However, if the input current is ac and the AC function is selected, the $I R$ drop is rectified by the ac converter before going to the low-pass filter. In either event the a/d converter receives a dc input voltage proportional to the current passing through the selected shunt.

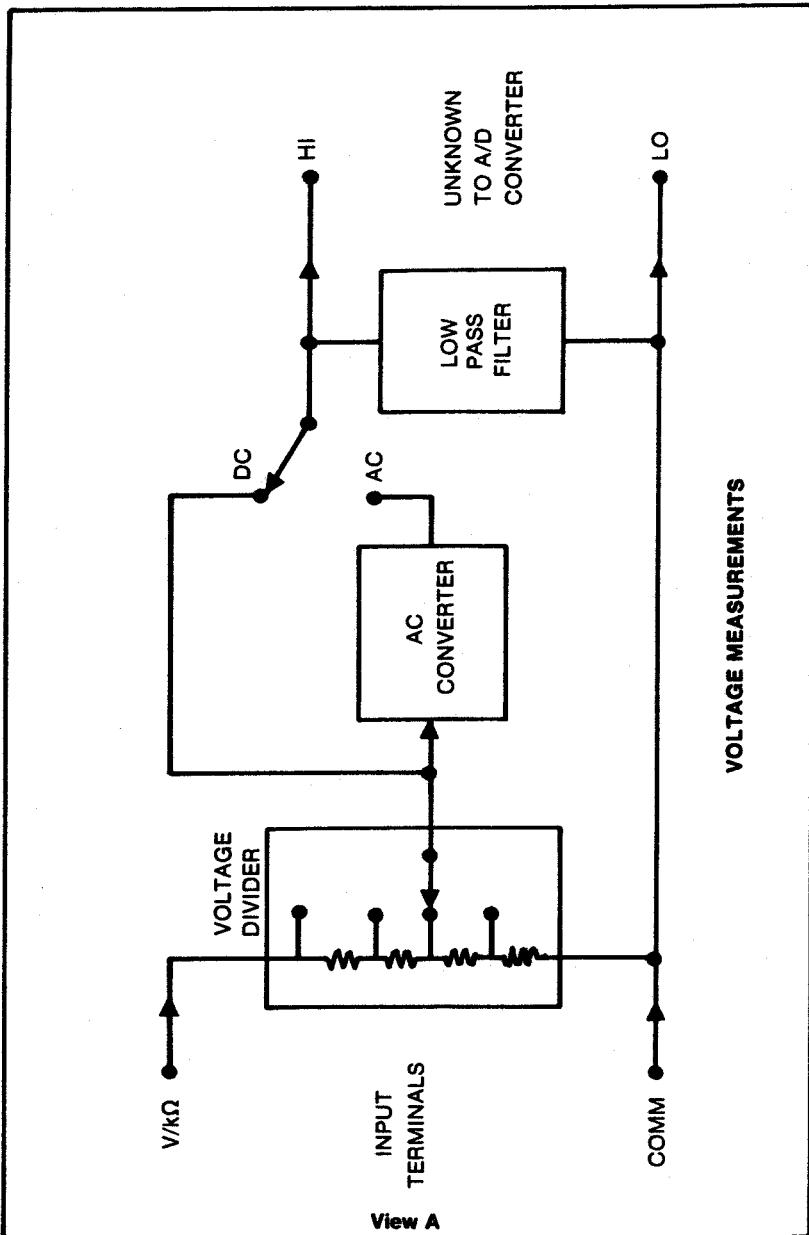


Figure 3-3. Input Signal Conditioners

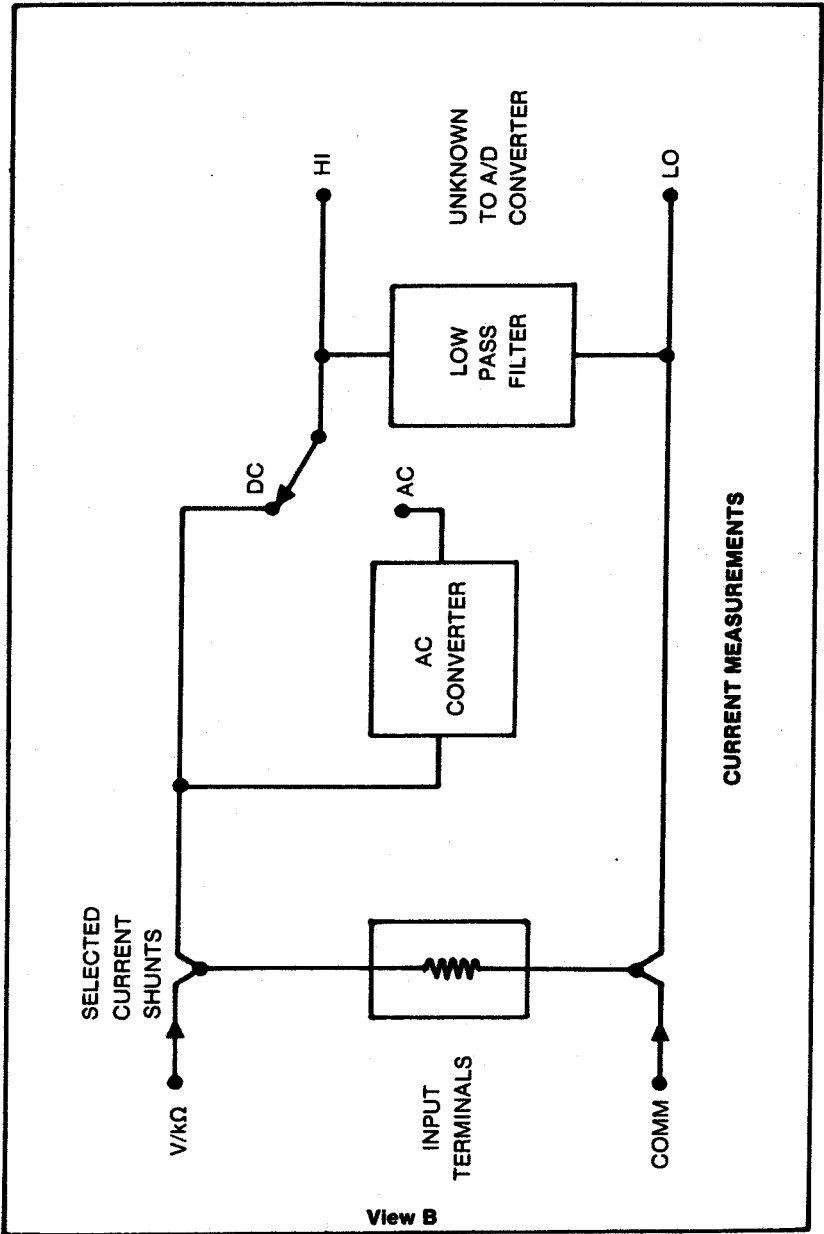


Figure 3-3. Input Signal Conditioners (cont)

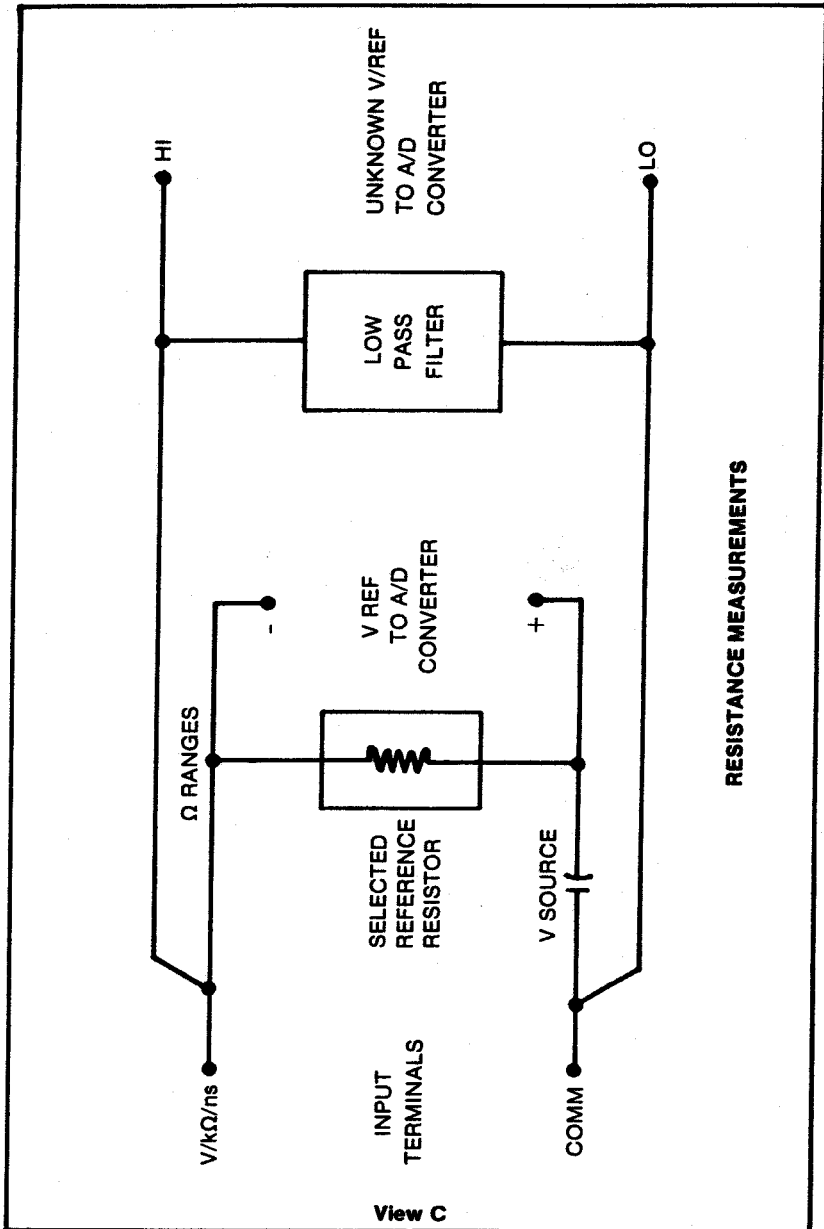


Figure 3-3. Input Signal Conditioners (cont)

3-24. RESISTANCE MEASUREMENTS

3-25. Resistance measurements are made using a ratio technique as shown in View C. When the $k\Omega$ function is selected, a simple series circuit is formed by the internal reference voltage, a reference resistor from the voltage divider (selected by range switches), and the external unknown resistor. The ratio of the two resistors is equal to the ratio of their respective voltage drops. Therefore, since the value of one resistor is known, the value of the second can be determined by using the voltage drop across the known resistor as a reference. This determination is made directly by the a/d converter.

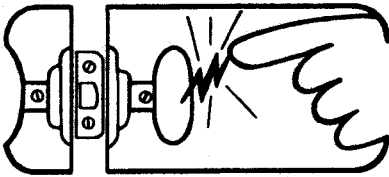
3-26. Overall operation of the a/d converter during a resistance measurement is basically as described earlier in this section, with one exception. The reference voltage present during a voltage measurement is replaced by the voltage drop across the reference resistor. This allows the voltage across the unknown resistor to be read during the integrate period, and compared against the reference resistor during the read period. As before, the length of the read period is a direct indication of the value of the unknown.



static awareness



A Message From
John Fluke Mfg. Co., Inc.

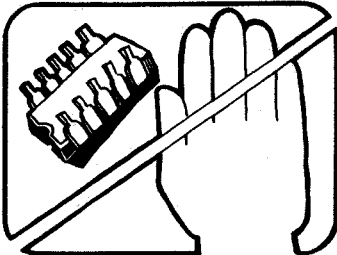


Some semiconductors and custom IC's can be damaged by electrostatic discharge during handling. This notice explains how you can minimize the chances of destroying such devices by:

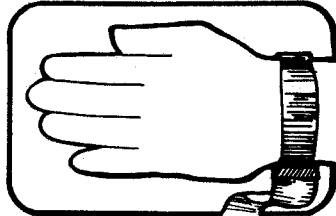
1. Knowing that there is a problem.
2. Learning the guidelines for handling them.
3. Using the procedures, and packaging and bench techniques that are recommended.

The Static Sensitive (S.S.) devices are identified in the Fluke technical manual parts list with the symbol "⊗"

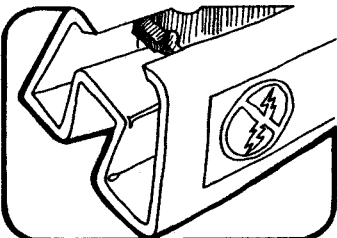
The following practices should be followed to minimize damage to S.S. devices.



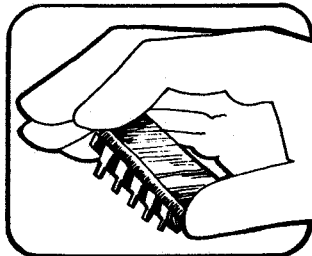
1. MINIMIZE HANDLING



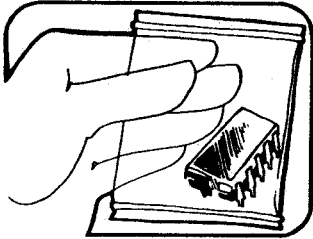
3. DISCHARGE PERSONAL STATIC BEFORE HANDLING DEVICES



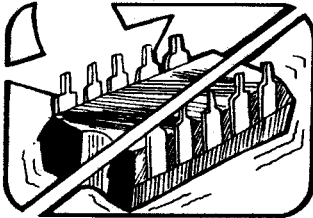
2. KEEP PARTS IN ORIGINAL CONTAINERS UNTIL READY FOR USE.



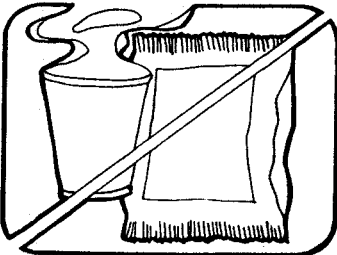
4. HANDLE S.S. DEVICES BY THE BODY



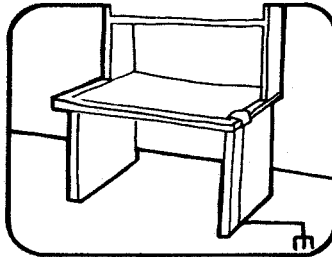
5. USE ANTI-STATIC CONTAINERS FOR HANDLING AND TRANSPORT



6. DO NOT SLIDE S.S. DEVICES OVER ANY SURFACE



7. AVOID PLASTIC, VINYL AND STYROFOAM IN WORK AREA



8. HANDLE S.S. DEVICES ONLY AT A STATIC-FREE WORK STATION

9. ONLY ANTI-STATIC TYPE SOLDER-SUCKERS SHOULD BE USED.

10. ONLY GROUNDED TIP SOLDERING IRONS SHOULD BE USED.

Anti-static bags, for storing S.S. devices or pcbs with these devices on them, can be ordered from the John Fluke Mfg. Co., Inc.. See section 5 in any Fluke technical manual for ordering instructions. Use the following part numbers when ordering these special bags.

John Fluke Part No.	Bag Size
453522	6" x 8"
453530	8" x 12"
453548	16" x 24"
454025	12" x 15"

Section 4

Maintenance

WARNING

THESE SERVICING INSTRUCTIONS ARE FOR USE BY QUALIFIED PERSONNEL ONLY. TO AVOID ELECTRIC SHOCK, DO NOT PERFORM ANY SERVICING OTHER THAN THAT CONTAINED IN THE OPERATING INSTRUCTIONS UNLESS YOU ARE QUALIFIED TO DO SO.

4-1. INTRODUCTION

4-2. This section of the manual contains maintenance information for the Model 8022A. This includes service information, general maintenance, performance test, calibration and troubleshooting. The performance test is recommended as an acceptance test when the unit is first received, and later as a preventive maintenance tool to verify proper instrument operation. A 1-year calibration cycle is recommended to maintain the specifications given in Section 1 of this manual. The test equipment required for both the performance test and calibration is listed in Table 4-1. If the recommended equipment is not available, instruments having equivalent specifications may be used.

4-3. SERVICE INFORMATION

4-4. The 8022A is warranted for a period of 1-year upon delivery to the original purchaser. Conditions of the warranty are given at the rear of this manual.

4-5. Malfunctions that occur within the limits of the warranty will be corrected at no charge. Simply mail the instrument (postpaid) to your nearest authorized (in-warranty) Fluke Technical Service Center. A complete list of service centers is provided at the rear of this manual. Dated proof-of-purchase will be required for all in-warranty repairs.

4-6. Factory authorized service centers are also available for calibration and/or repair of instruments that are beyond their warranty period. Contact your nearest Fluke Technical Service Center for a cost quotation. Ship the instrument and remittance in accordance with instructions received.

Table 4-1. List of Recommended Test Equipment

INSTRUMENT TYPE	REQUIRED CHARACTERISTICS	RECOMMENDED MODEL
PREFERRED		
DMM Calibrator	John Fluke 5100A family	John Fluke Models 5100A, 5101A, 5102A
ALTERNATE		
AC Calibrator	Voltage Range: 0 to 750V ac Frequency Range: 100 to 450 Hz: $\pm 0.25\%$ Voltage Accuracy: 100 to 450 Hz: $\pm 0.1\%$	John Fluke Models 5200A and 5215A
DC Calibrator	Voltage Range: 0 to 1000V dc Accuracy: $\pm 0.025\%$	John Fluke Model 343A
DC Current Calibrator	Current Range: 2 mA to 2A Accuracy: $\pm 0.2\%$	John Fluke Model 382A
Resistor Decade or Individual Resistors	Resistance Values: 190 Ω , 1.9 k Ω , 19 k Ω , 190 k Ω , 1.9 M Ω , and 10 M Ω Accuracy: $\pm 0.025\%$ Power Rating: $\geq 1/8$ watt	ESI Model DB62

4-7. GENERAL INFORMATION**4-8. Access Information***NOTE*

To avoid contaminating the pcb with oil from the fingers, handle it by the edges or wear gloves. If the pcb does become contaminated, refer to the cleaning procedure given later in this section.

4-9. CALIBRATION ACCESS

4-10. Use the following procedure to access the 8022A calibration adjustments:

1. Set the power switch to OFF.
2. Disconnect test leads and battery eliminator, if attached.
3. Remove battery cover and battery from compartment.
4. Remove the three phillips-head screws from the bottom of the case.
5. Turn the instrument face-up and grasp the top cover at both sides of the input connectors. Then, pull the top cover from the unit.
6. All adjustments necessary to complete the calibration procedure are now accessible (see Figure 4-1).

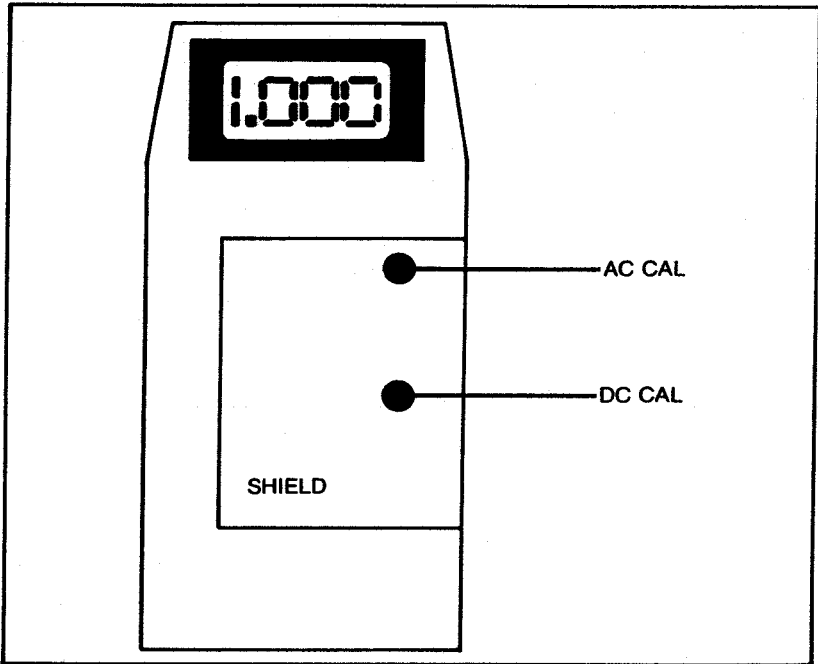


Figure 4-1. Calibration Adjustment Locations

4-11. COMPONENT/PCB ACCESS

4-12. Use the following procedure to remove the Main PCB Assembly from the case:

1. Complete the calibration access procedure.
2. Remove the screw from the shield.
3. Using your index finger, lift the lower right-hand corner of the pcb. When the pcb is freed, pull it to the right until it clears the shelf under the buttons, and then lift up.
4. To reassemble, logically reverse this procedure.

NOTE

When installing pcb, route battery-clip wires behind the post on the left-hand side of bottom case, and thread battery-clip through the battery-cover opening. Also make sure that the removable plastic lip that resides beneath the range switch pushbuttons is properly installed in the bottom case. Green power switch cap should also be mounted on the power switch.

4-13. DISPLAY ACCESS

4-14. Use the following procedure to remove/replace the liquid crystal display:

1. Remove the pcb assembly using the component/pcb access procedure.
2. Using your thumb, carefully pull one of the white display-lens snaps away from the lens. When clear, lift the lens away from the display.

CAUTION

Do not slide the lens out of the display mount. This will scratch the lens.

3. The display can now be lifted from the mount.
4. To reassemble the display, logically reverse this procedure.

NOTE

An Elastometric contact strip is located at the top of the liquid crystal display. See Figure 5-1. When assembling the display, this strip should be located between the display and the pcb interconnect cable.

4-15. LSI (U8) ACCESS

4-16. Use the following procedure to remove/replace the A/D Converter and Display Driver IC, U8:

1. Remove the pcb assembly using the component/pcb access procedure.
2. On the bottom of the pcb locate and remove the two phillips-head screws from the display assembly.
3. Lift the display assembly from the pcb to expose U8.

CAUTION

U8 is a MOS device and is subject to damage by static discharge. Observe the precautions given later in this section under troubleshooting before attempting to remove or replace U8.

4. Use a screw driver or a reasonable substitute to rock (by prying up on each end of the IC) the IC out of its socket.
5. When installing U8 make sure all pins are lined up in the socket, and then carefully press it into place.
6. When reinstalling the LCD Bracket, be sure to line up the flex cable holes with the extensions on the bracket before tightening the bracket screws.

4-17. Cleaning

CAUTION

Do not use aromatic hydrocarbons or chlorinated solvents for cleaning. These solutions will react with the plastic materials used in the instrument.

CAUTION

Do not get the liquid crystal display wet. Remove the Display Assembly before washing the pcb and do not install it until the pcb has been fully dried.

4-18. Clean the front panel and case with a mild solution of detergent and water. Clean dust from the circuit board with low pressure (<20 psi) dry air. Contaminates can be removed from the circuit board with demineralized water and a soft brush (remove the Display Assembly before washing, and avoid getting excessive amounts of water on the switches). Dry with clean, dry air at low pressure, and then bake at 50 to 60°C (124-140°F) for 24 hours.

4-19. Battery/Fuse Replacement

WARNING

BATTERY/FUSE REPLACEMENT SHOULD ONLY BE PERFORMED AFTER THE TEST LEADS HAVE BEEN REMOVED FROM THE INPUT JACKS, AND THE POWER SWITCH IS SET TO OFF.

4-20. Refer to Section 2 of this manual for battery and fuse replacement procedure. Use only the recommended replacement types.

4-21. PERFORMANCE TEST

4-22. The performance test is used to compare the 8022A performance with the list of specifications given in Section 1 of this manual. It is recommended for incoming inspection, periodic maintenance, and to verify specifications. If the instrument fails any part of the test, calibration and/or repair is indicated.

4-23. Initial Procedure

4-24. Each of the individual procedures that comprise the performance test assumes that the following conditions exist:

1. The unit has been allowed to stabilize and will be tested at an ambient temperature of $23 \pm 5^{\circ}\text{C}$ ($73 \pm 9^{\circ}\text{F}$).
2. The fuse and battery have been checked and, if necessary, replaced.
3. The power switch has been set to ON.

4-25. Display Test

4-26. The following procedure is used to test the operation of all display digits and segments.

1. Select the 20 k Ω range. The display should be blanked with the exception of the overrange indicator (1) in the left hand column and a decimal point in the center of the display.
2. Connect a decade resistor between the V k Ω and COMMON input terminals.
3. Connect a decade resistor to 10 k Ω and verify a display of 10.00 \pm 3 digits.
4. Sequentially increase the resistance in 1.11 k Ω steps and verify the operation of each digit and its segments.
5. Disconnect the decade resistor at the input terminals, and select the 2000 k Ω range. A decimal point should not be displayed.
6. Sequentially select the 200, 20 and 2 k Ω range. The decimal point should appear in the tenths, hundredths, and thousandths position, respectively.

4-27. Resistance Test

4-28. The operation and accuracy of the resistance ranges are tested in the following procedure:

1. Connect the decade resistor between the V/k Ω and COMMON input terminals.
2. Refer to Table 4-2, and select the range and input conditions specified in step 1. Verify that the display reading is within the limits shown.
3. Execute and verify steps 2 through 8 of Table 4-2, using the procedure described in step 2.

Table 4-2. Resistance Checks

STEP	RANGE	JOHN FLUKE 5100A/5101A/5102A		ESI MODEL DB62	
		INPUT RESISTANCE	DISPLAY READING	INPUT RESISTANCE	DISPLAY READING
1	200 Ω	Short	00.0 to 00.2	Short	00.0 to 00.2
2	2 k Ω	Short	0.000 to 0.001	Short	0.000 to 0.001
3	200 Ω	100 Ω	99.4 to 100.6	190 Ω	189.1 to 190.9
4	2 k Ω	1 k Ω	0.997 to 1.003	1.9 k Ω	1.895 to 1.905
5	20 k Ω	10 k Ω	9.97 to 10.03	19 k Ω	18.95 to 19.05
6	200 k Ω	100 k Ω	99.7 to 100.3	190 k Ω	189.5 to 190.5
7	2000 k Ω	1000 k Ω	997 to 1003	1900 k Ω	1895 to 1905
8	20 M Ω	10 M Ω	9.7 to 10.3	10 M Ω	9.80 to 10.20

4-29. DC Voltage Test

4-30. Use the following procedure to check the accuracy and overall operation of the dc voltage ranges:

WARNING

CONNECT THE GROUND/Common/LOW SIDE OF THE VOLTAGE CALIBRATOR TO COMMON ON THE 8022A.

1. Set the dc voltage calibrator for a zero volt output.
2. Connect the calibrator output to the V/k Ω and COMMON input terminals of the 8022A (calibrator ground/common/low to the 8022A).
3. With reference to Table 4-3, select the 8022A voltage range given in step 1, and set the calibrator output to the corresponding 8022A input voltage. Verify that the display reading is within the limit shown.
4. Execute and verify steps 2 through 7 of Table 4-3, using the procedure described in step 3.

Table 4-3. DC Voltage Checks

STEP	VOLTAGE RANGE	INPUT VOLTAGE, DC	DISPLAY READING
1	200 mV	+190.0 mV	189.4 to 190.6
2	200 mV	-190.0 mV	-189.4 to -190.6
3	2V	0.0V	-.001 to .001
4	2V	+1.9V	1.894 to 1.906
5	20V	+19V	18.94 to 19.06
6	200V	+190V	189.4 to 190.6
7	1000V	+1000V	997 to 1003

4-31. AC Voltage Test

4-32. The ac voltage ranges are checked for accuracy and operation using the following procedure.

WARNING

CONNECT THE GROUND/Common/LOW SIDE OF THE AC CALIBRATOR TO COMMON ON THE MODEL 8022A.

1. Set the ac calibrator for a zero volt ac output.
2. Connect the calibrator output to the V/k Ω and COMMON input terminals for the 8022A (calibrator ground/common/low to 8022A COMMON).

3. With reference to Table 4-4, select the 8022A voltage range given in step 1, and set the calibrator output to the corresponding 8022A input voltage and frequency. Verify that the display reading is within the limits shown.
4. Execute and verify steps 2 through 12 of Table 4-4, using the procedure described in step 3.

Table 4-4. AC Voltage Test

STEP	VOLTAGE RANGE	INPUT		DISPLAY READING
		VOLTAGE	FREQ.	
1	200 mV	Short		00.0 to 00.2
2	200 mV	190 mV	100 Hz	188.4 to 191.6
3	200 mV	19 mV	100 Hz	18.7 to 19.3
4	2V	1.9V	100 Hz	1.884 to 1.916
5	20V	19V	100 Hz	18.84 to 19.16
6	200V	190V	100 Hz	188.4 to 191.6
7	750V	750V	400 Hz	741 to 759

If the alternate test equipment listed in Table 4-1 is used, the Input Frequency in step 7 should be 100 Hz. All other factors of step 7 are the same.

4-33. DC Current Test

4-34. The following procedure is used to check the operation and accuracy of the DC current ranges.

1. Set the output of the dc current source to zero mA.
2. Connect the output of the current source to the mA and COMMON input terminals on the 8022A.
3. With reference to Table 4-5, select the 8022A current range indicated in step 1, and set the calibrator output to provide the corresponding 8022A input current. Verify that the display reading is within the limits shown.
4. Execute and verify steps 2 through 4 of Table 4-5, using the procedure described in step 3.

Table 4-5. DC Current (mA) Checks

STEP	CURRENT RANGE	INPUT CURRENT, DC	DISPLAY READING
1	2 mA	+1.9 mA	1.885 to 1.915
2	20 mA	-19 mA	-18.85 to 19.15
3	200 mA	+190 mA	188.5 to 191.5N
4	2000 mA	+1900 mA	1885 to 1915

4-35. CALIBRATION

4-36. Under normal operating conditions, the 8022A should be calibrated once a year to maintain the specifications given in Section I of this manual. If instrument repairs have been made or if the unit fails the performance test, immediate calibration is indicated. Equipment required for calibration is given in Table 4-1. If the necessary equipment is not available, your nearest authorized Fluke Technical Service Center will be happy to help. A list of these service centers, as well as shipping information, is given at the back of this manual.

4-37. Use the following procedure to calibrate the 8022A.

NOTE

This procedure assumes an ambient temperature of $23 \pm 2^\circ \text{C}$ (70 to 77° F) and a relative humidity of less than 80%. The temperature of the unit should be allowed to stabilize for at least 30 minutes before calibration begins.

1. Remove the top cover from the 8022A using the access procedure given earlier in this section.
2. Set the 8022A power switch to ON and select the 200 mV DC range.
3. Set the output of the dc calibrator to +190.0 mV and connect it to the 8022A input terminals; + to V/k Ω , and - to COMMON.
4. Adjust the DC CAL pot (R6), as shown in Figure 4-1, for a display of 190.0 or 190.1. (Use a plastic adjustment tool or a common plastic screw driver for all adjustments.)
5. Disconnect the dc calibrator from the 8022A input terminals.
6. Select the 200 mV AC range on the 8022A.
7. Set the output of the ac calibrator to 190 mV at 100 Hz, and connect it to the 8022A input terminals; V/k Ω and COMMON.
8. Adjust the AC CAL pot (R4) for a display of 190.0 (an occasional flash of ± 1 digit is acceptable).
9. Execute the performance test given earlier to ensure that all fixed range resistors and other non-adjustable components are operating within their specified limits.

4-38. TROUBLESHOOTING

CAUTION

Static discharge can damage MOS components contained in the 8022A.

4-39. When troubleshooting or repairing the 8022A use the precautions listed on the Static Awareness sheet to prevent damage from static discharge. Never remove, install or otherwise connect or disconnect components without first turning the 8022A power switch to OFF.

4-40. A troubleshooting guide for the 8022A is given in Table 4-6. To properly use the guide complete the performance test given earlier in this section and note any discrepancies. Then locate the heading of the procedure in question in the Test and Symptom column (Table 4-6). Under that heading isolate the symptom that approximates the observed malfunction. Possible causes are listed to the right of the selected symptom. Details necessary to isolate a particular cause can be derived from the theory of operation in Section 3 and the schematic diagram in Section 7.

Table 4-6. Troubleshooting Guide

TEST AND SYMPTOM	POSSIBLE CAUSE
INITIAL PROCEDURE BT is displayed when unit is turned on. Display blank.	Low battery, Q2, U7, U8. Dead battery, power switch, VR2 shorted, U8.
DISPLAY TEST One or more segments will not light through entire test. Decade inoperative or one or more segments always lit. Improper decimal point indication. Minus sign improperly displayed. Display lit but does not respond to changes in input.	Display interconnect, display, or A/D Converter U8. U8. Range switches, U6, U7, or display. (Check signals at U7 to isolate.) U8. Reference VR1, crystal Y1, A/D Converter U8.

Table 4-6. Troubleshooting Guide (cont)

TEST AND SYMPTOM	POSSIBLE CAUSE
<p>RESISTANCE TEST Displayed reading is out of tolerance on at least one but not all ranges.</p> <p>Readings are noisy on all ranges.</p> <p>Readings are out of tolerance on high ohms.</p> <p>Residual reading with test leads open.</p>	<p>Range resistor U1.</p> <p>Thermistor RT1.</p> <p>RV1, RV2, RV3, RV4 overheated from severe overload.</p> <p>PCB is contaminated (see cleaning procedure, Section 4).</p>
<p>DC VOLTAGE TEST Display reading is out of tolerance on 200 mV range.</p> <p>Readings are out of tolerance on all ranges except 200 mV.</p>	<p>Out of calibration (DC), Vref (VR1) in error, U5, U8, S1.</p> <p>Range resistor U1, U2, U3.</p>
<p>AC VOLTAGE TEST Displayed reading is out of tolerance on 200 mV range.</p> <p>Readings are out of tolerance on all ranges except 200 mV.</p>	<p>Out of calibration (AC), AC converter defective.</p> <p>U1.</p>
<p>DC CURRENT TEST Input does not affect display.</p> <p>Displayed reading is out of tolerance on one or more ranges.</p>	<p>Fuse F1 open, CR1, CR2.</p> <p>If 2000 mA and 200 mA ranges are okay, U2 is defective. Otherwise U3 is defective.</p>
<p>CALIBRATION DC CAL pot at limit.</p>	<p>VR1, U5, or R6.</p>
<p>AC CAL pot at limit.</p>	<p>U4, CR5, CR6, R4, AR1, dc calibration.</p>

Section 5

List of Replaceable Parts

5-1. INTRODUCTION

5-2. This section contains an illustrated parts breakdown of the instrument. A similar parts listing for each of the Options will be found in Section 6. Components are listed alphanumerically by assembly. Both electrical and mechanical components are listed by reference designation. Each listed part is shown in an accompanying illustration.

5-3. Parts lists include the following information:

1. Reference Designation.
2. Description of each part.
3. FLUKE Stock Number.
4. Federal Supply Code for Manufacturers. (See Table 5-4 for Code-to-Name list.)
5. Manufacturer's Part Number.
6. Total Quantity per assembly or component.
7. Recommended Quantity: This entry indicates the recommended number of spare parts necessary to support one to five instruments for a period of two years. This list presumes an availability of common electronic parts at the maintenance site. For maintenance for one year or more at an isolated site, it is recommended that at least one of each assembly in the instrument be stocked. In the case of optional subassemblies, plug-ins, etc., that are not always part of the instrument, or are deviations from the basic instrument model, the REC QTY column lists the recommended quantity of the item in that particular assembly.

5-4. HOW TO OBTAIN PARTS

5-5. Components may be ordered directly from the manufacturer by using the manufacturer's part number, or from the John Fluke Mfg. Co., Inc. factory or authorized representative by using the **FLUKE STOCK NUMBER**. In the event the part you order has been replaced by a new or improved part, the replacement will be accompanied by an explanatory note and installation instructions if necessary.

5-6. To ensure prompt and efficient handling of your order, include the following information.

1. Quantity.
2. **FLUKE** Stock Number.
3. Description.
4. Reference Designation.
5. Printed Circuit Board Part Number.
6. Instrument Model and Serial Number.

CAUTION

 Indicated devices are subject to damage by static discharge.

Table 5-1. 8022A Final Assembly

REF DES	DESCRIPTION	FLUKE STOCK NO.	MFG SPLY CODE	MFG PART NO. OR TYPE	TOT QTY	REC QTY	USE CDE
	8022A, FINAL ASSEMBLY						
A1	FIGURE 5-1 PCB ASSEMBLY	ORDER	ONLY	REPLACEABLE PARTS	1		
A2	FIGURE 5-2 CASE ASSEMBLY				1		
	USA SOURCE	457291	89536	457291			
	EUROPEAN SOURCE	467365	89536	467365			
	SEE FIGURE 5-1						
BT1	BATTERY, 9-VOLT (NOT SHOWN)	446823	89536	446823	1		
H1	SCREW, PHF, 2-56 X 3/16	272906	73734	19001	1		△
H2	SCREW, PHF, THREAD FORMING	447953	89536	447953	3		
MP1	TEST LEADS (NOT SHOWN)	506428	89536	506428	1		
MP2	BUTTON POWER SWITCH	456491	89536	456491	1		
	MANUAL, INSTRUCTION (NOT SHOWN)	515767	89536	515767	1		
	△ INSTALLED BY CUSTOMER. SEE SECTION 2.						

Table 5-2. A2 Case Assembly

REF DES	DESCRIPTION	FLUKE STOCK NO.	MFG SPLY CODE	MFG PART NO. OR TYPE	TOT REC USE QTY QTY CDE
A2	CASE ASSEMBLY SEE FIGURE 5-1				REF
	USA	51510	89536	51510	
	EUROPEAN	505222	89536	505222	
MP1	SHOCK ABSORBER	428441	89536	428441	1
MP2	BAIL, TILT	496596	89536	496596	1
MP3	CASE, PLASTIC, BOTTOM				1
	USA	450700	89536	450700	
	EUROPEAN	454587	89536	454587	
MP4	CASE, PLASTIC, TOP	515460	89536	515460	1
MP5	COVER, BATTERY	450718	89536	450718	1
MP6	DECAL, FRONT PANEL	508275	89536	508275	1
MP7	DECAL, WARNING (NOT SHOWN)	428938	89536	428938	1
MP8	FLANGE, SWITCH	455881	89536	455881	1
MP9	SHIELD	508101	89536	508101	1
MP10	SPACER, CASE	458588	89536	458588	2

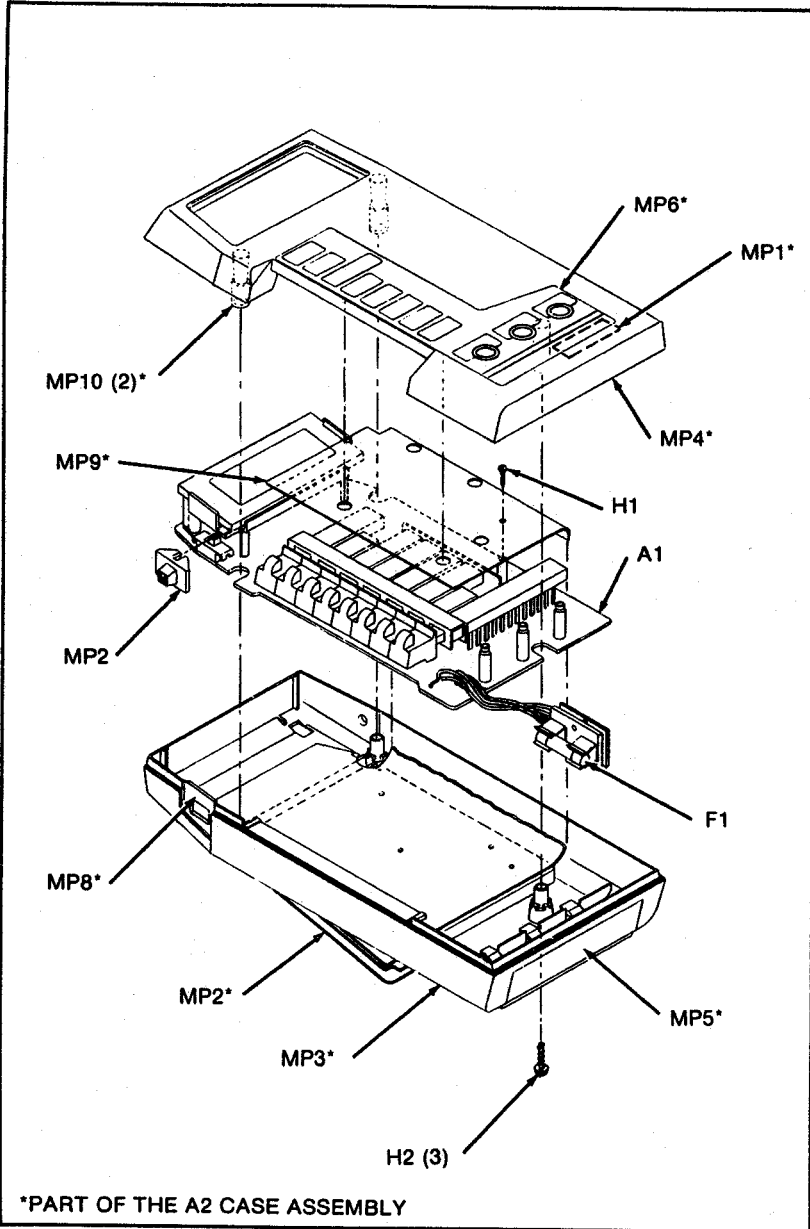


Figure 5-1. 8022A Final Assembly

Table 5-3. A1 Main PCB Assembly

REF DES	DESCRIPTION	FLUKE STOCK NO.	MFG SPLY CODE	MFG PART NO. OR TYPE	TOT QTY	REC QTY	USE CDE
A1	8022A PCB ASSEMBLY				REF		△
	FIGURE 5-2 (8022A-4050)						
AR1	IC, DUAL, OP AMP	418566	89536	418566	1	1	
C2	CAP, MYLAR, 0.022 UF +/-10%, 1000V	448183	89536	448183	1	1	
C3	CAP, TA, 10 UF +/-20%, 15V	193623	56289	196D106X0015KA1	2	2	
C5	CAP, MYLAR, 0.1 UF +/-10%, 100V	393439	73445	C280MAH/A100K	1	1	
C6	CAP, PLYL PROP. 0.047 UF +/-10%, 100V	446773	89536	446773	2	2	
C7	CAP, CER, 500 PF +/-10%, 500V	105692	71590	2DDH60N501K	1	1	
C8	CAP, POLY PROP. 0.047 UF +/-10%, 100V	446773	89536	446773	REF		
C9	CAP, POLY PROP. 0.1 UF +/-10%, 100V	446781	89536	446781	1	1	
C10	CAP, MYLAR 0.22 UF +/-10%, 100V	436113	73445	C280MAH/A220K	1	1	
C11	CAP, TA, 10 UF +/-20%, 15V	193623	56289	196D106X0015KA1	REF		
CR1	DIODE, SI, RECTIFIER	347559	05277	1N5400	2	1	
CR2	DIODE, SI, RECTIFIER	347559	05277	1N5400	REF		
CR3	DIODE, SI, HI-SPEED SWITCH	203323	07910	1N4448	4	1	
CR4	DIODE, SI, HI-SPEED SWITCH	203323	07910	1N4448	REF		
CR5	DIODE, SI, HI-SPEED SWITCH	203323	07910	1N4448	REF		
CR6	DIODE, SI, HI-SPEED SWITCH	203323	07910	1N4448	REF		
F1	FUSE, 2 AMP/250V AMERICAN SIZE (1" X 1/4")	376582	71400	AGX2	1	5	
H1	METRIX SIZE (20 MM X 5 MM)	460972	75915	212002			
J1	SCREW, THREAD-FORMING, 3/8 HI-LO TYPE	448456	89536	448456	2	2	
J4	CONNECTOR, ELASTOMERIC	453092	89536	453092	1	1	
J5	CONNECTOR, DC POWER CONTACT ASSEMBLY, BATTERY/FUSE	423897	89536	423897	1	1	

Table 5-3. A1 Main PCB Assembly (cont)

REF DES	DESCRIPTION	FLUKE STOCK NO.	MFG SPLY CODE	MFG PART NO. OR TYPE	TOT REC USE QTY QTY CDE
	AMERICAN VERSION	453910	89536	453910	
	METRIX VERSION	454413	89536	454413	
MP1	BRACKET, DISPLAY (U9), MOUNTING	450734	89536	450734	1
MP2	DISPLAY, INTERCONNECT	453746	89536	453746	1
MP3	DISPLAY, LENS, PLASTIC	450759	89536	450759	1
MP4	INSERT, RUBBER, DISPLAY BRACKET	453787	89536	453787	2
MP5	PUSHBUTTON, GREY, RANGE				6
	IF SWITCH ASSEMBLY IS WHITE, ORDER	450767	89536	450767	
	IF SWITCH ASSEMBLY IS BLUE, ORDER	459040	89536	459040	
MP6	PUSHBUTTON, WHITE, FUNCTION				2
	IF SWITCH ASSEMBLY IS WHITE, ORDER	450809	89536	450809	
	IF SWITCH ASSEMBLY IS BLUE, ORDER	450957	89536	450957	
Q1	XSTR, SI, NPN	483859	89536	483859	2
Q2	XSTR, SI, NPN	483859	89536	483859	REF
R1	RES, COMP, 100K +/-10%, 1W	109397	01121	GB1041	1
R2	RES, WW, 1K +/-10%, 2W	474080	89536	474080	1
R3	RES, COMP, 2.2M +/-5%, 1/4W	198390	01121	CB2255	1
R4	RES, VAR, 300 +/-10%	447722	89536	447722	1
R5	RES, COMP, 1M +/-10%, 1W	109793	01121	GB1051	1
R6	RES, VAR, 500 +/-10%	447730	89536	447730	1
R8	RES, COMP, 220K +/-5%, 1/4W	160937	01121	C92245	1
R9	RES, COMP, 10K +/-5%, 1/4W	148106	01121	CB1035	1
R10	RES, DEP. CAR, 100 +/-5%, 1/4W	348771	80031	CR251-4-5P100E	1
R11	THERMISTOR, 1K +/-40%	446849	89536	446849	1
RV1	VARIATOR, 430V +/-10%	447672	09214	V150LAX827	4

Table 5-3. A1 Main PCB Assembly (cont)

REF DES	DESCRIPTION	FLUKE STOCK NO.	MFG SPLY CODE	MFG PART NO. OR TYPE	TOT QTY	REC USE QTY CDE
RV2	VARISTOR, 430V +/-10%	447672	09214	V150LAX827	REF	
RV3	VARISTOR, 430V +/-10%	447672	09214	V150LAX827	REF	
RV4	VARISTOR, 430V +/-10%	447672	09214	V150LAX827	REF	
SI-S8	SWITCH ASSEMBLY, PUSHBUTTON IF ASSEMBLY IS WHITE, ORDER	453050	89536	453050	1	1
S9	IF ASSEMBLY IS BLUE, ORDER					
U1	SWITCH, SLIDE, SPDT	453647	89536	453647	1	1
U2	RESISTOR NETWORK (INPUT DIVIDER)	453365	89536	453365	1	1
U3	RESISTOR NETWORK	424085	89536	424085	1	1
U4	RESISTOR NETWORK	447706	89536	447706	1	1
U5	RESISTOR NETWORK	435727	89536	435727	1	1
U6	RESISTOR NETWORK	447698	89536	447698	1	1
U7	RESISTOR NETWORK	447680	89536	447680	1	1
U8	RESISTOR NETWORK	447714	89536	447714	1	1
VR1	IC, MOS, QUAD, 2-INPUT OR GATE	355222	02735	CD4030AE	1	1
VR2	IC, MOS, A/D CONVERTER, DISPLAY DRIVER	429100	89536	429100	1	1
XU8	IC, LIQUID CRYSTAL DISPLAY, 3 1/2 DIGITS	453100	89536	453100	1	1
Y1	REFERENCE, LOW VOLTAGE, 1.22V	452771	89536	452771	1	1
	DIODE, ZENER, 12V	113456	07910	1N963A	1	1
	SOCKET, IC, 40-PIN	429282	89536	429282	1	1
	CRYSTAL, 3.2 MHZ	460550	89536	460550	1	1



ASSEMBLY IS NOT PROCURABLE AT THIS LEVEL.

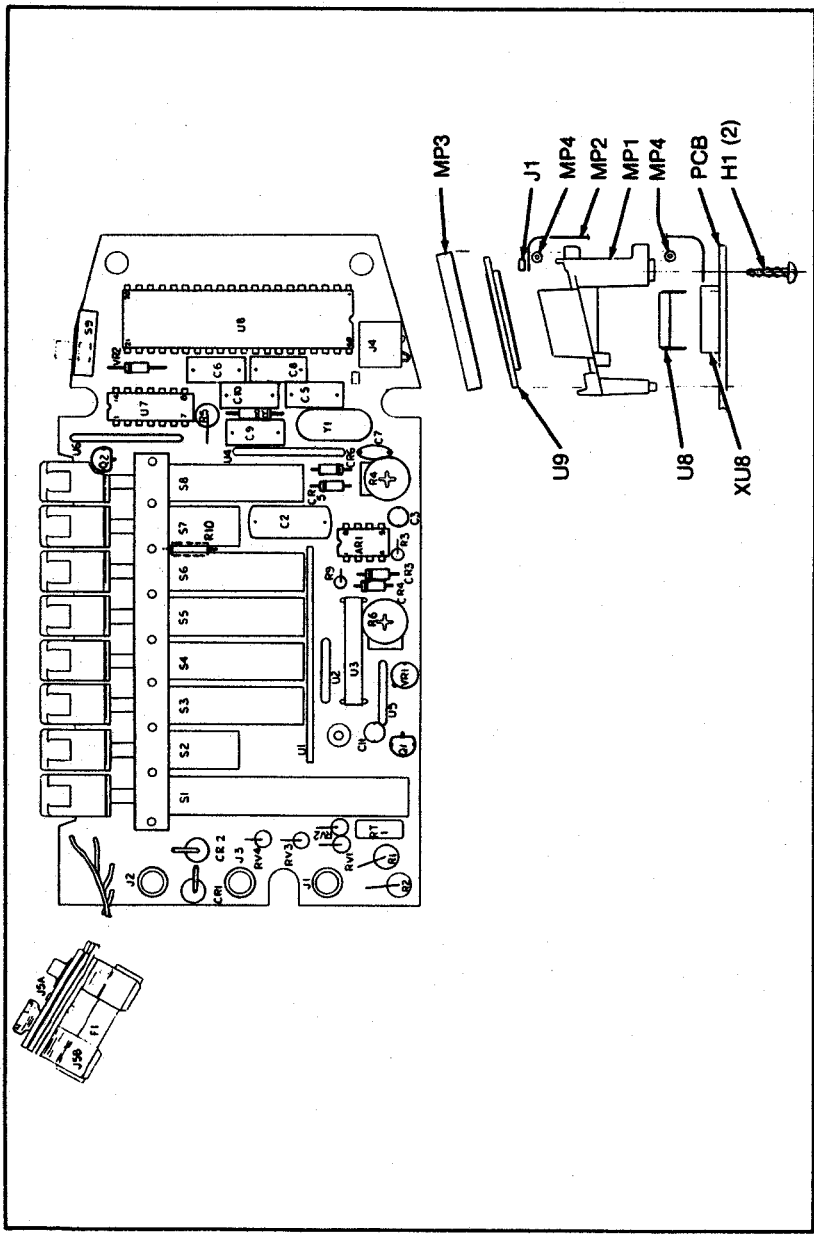


Figure 5-2. A1 Main PCB Assembly

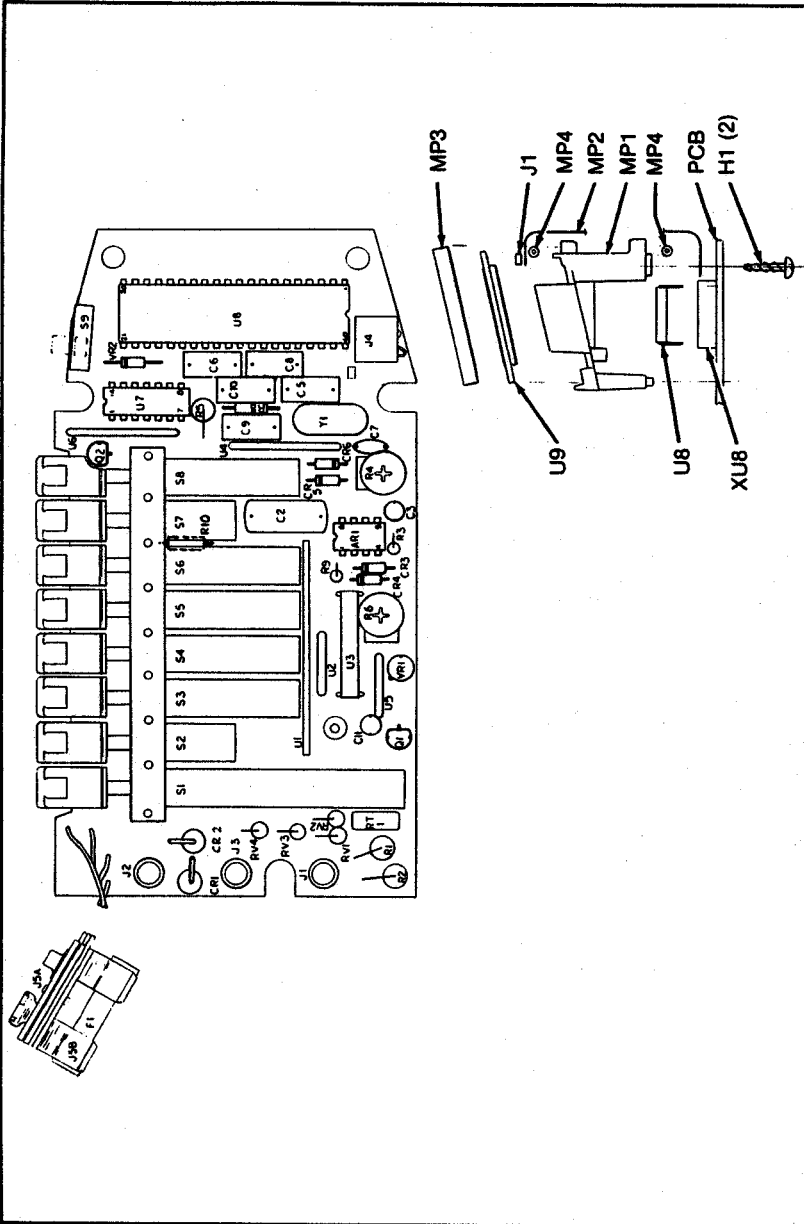


Figure 5-2. A1 Main PCB Assembly

Section 6

Option & Accessory Information

6-1. INTRODUCTION

6-2. This section of the manual contains information concerning the accessories available for use with the Model 8022A Digital Multimeter (there are not options available at this time). Each accessory, as shown in Figure 6-1, is described in general terms under a separate major heading containing the accessory model number. The depth of detail is intended to give the prospective user an adequate first acquaintance with the features and capabilities of each accessory. Additional information, when necessary, is supplied with the accessory.

6-3. DELUXE CARRYING CASE (C90)

6-4. The C90 Deluxe Carrying Case is a pliable, vinyl, zipper-closed pouch that provides in-field-transport protection for the 8022A, as well as convenient storage locations for test leads, operator's guide and other small accessories. A finger- or belt-loop is included on the case as a carrying convenience.

6-5. TEMPERATURE PROBE (80T-150)

6-6. Introduction

6-7. The 80T-150 Temperature Probe converts the instrument into a direct-reading (1 mV dc/°) °C or °F thermometer. It is ideally suited for surface, ambient and liquid measurement, and lends itself easily to a wide range of design, troubleshooting and evaluation applications. A rugged, fast-responding probe-tip with a 350V dc standoff makes the 80T-150 one of the most versatile and easy-to-use temperature probes available.

6-8. Specifications

Range (°C/°F) (field selectable by internal jumpers): -50°C to +150°C or -58°F to 302°F.

Accuracy: ±1°C (1.8°F) from 0°C to 100°C, decreasing linearly to ±3°C (5.4°F) at -50°C and +150°C.

Resolution: 0.1°C on 200 mV range.

Voltage Standoff: 350V dc or peak ac.

Power: Internal disposable battery; 1,000 hours of continuous use.

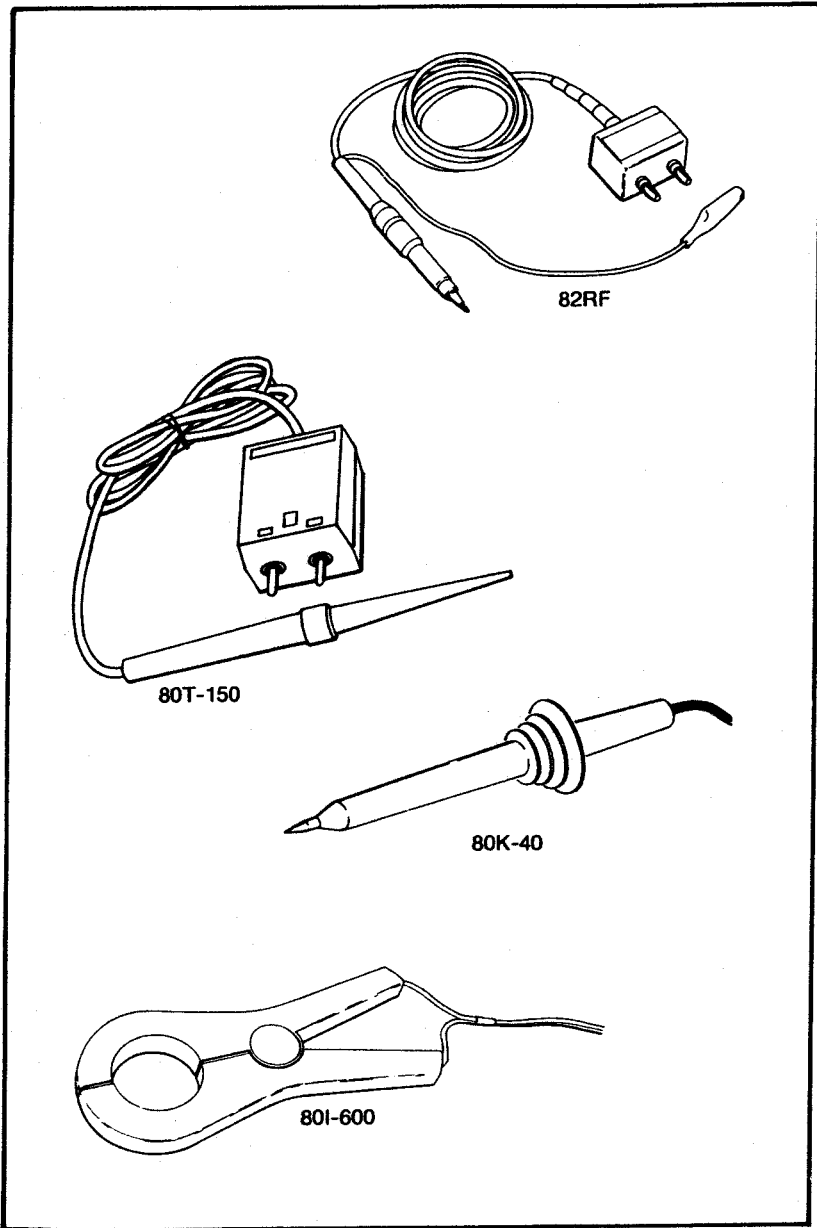


Figure 6-1. Model 8022A Accessories

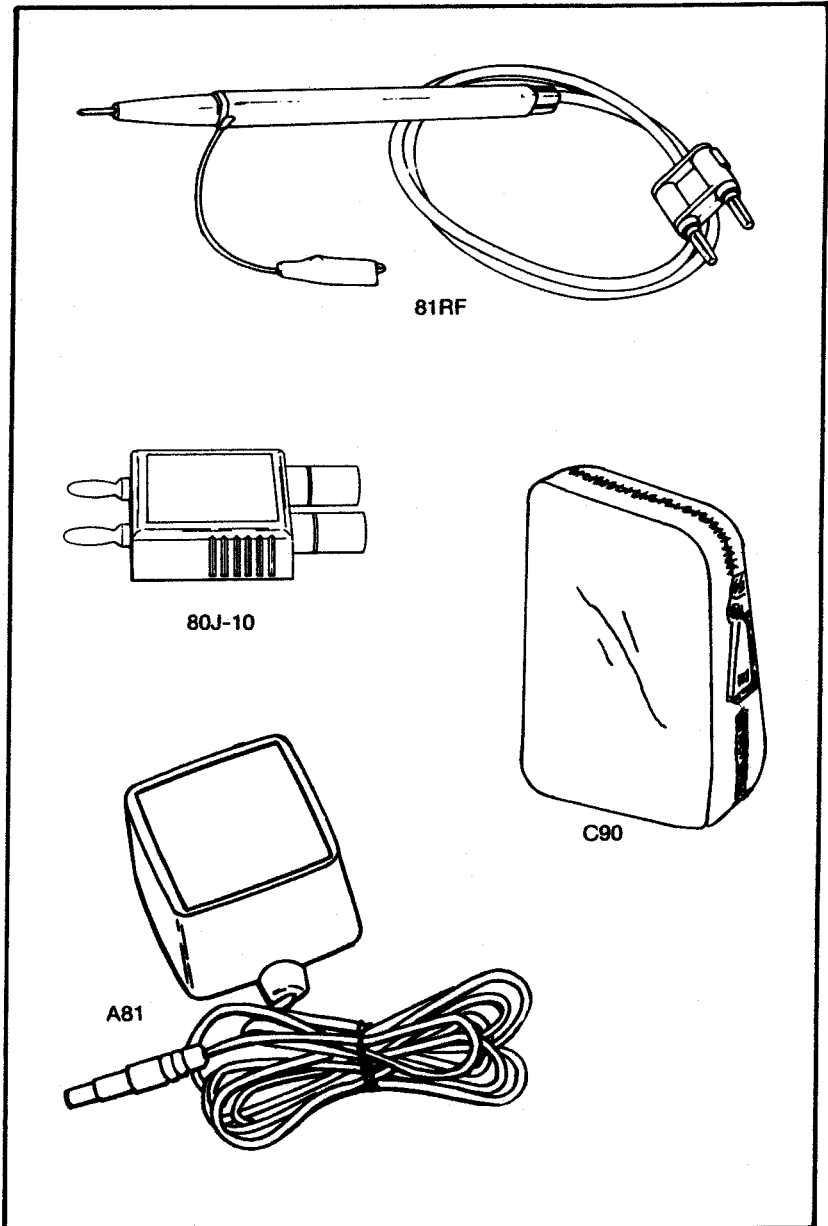


Figure 6-1. Model 8022A Accessories (cont)

6-9. CURRENT TRANSFORMER (80I-600)

6-10. Introduction

6-11. The Model 80I-600 extends the maximum 2A ac current measuring capability of the instrument up to a maximum of 600 amps. A clamp-on transformer designed into the probe allows measurements to be made without breaking the circuit under test. In use, the current carrying conductor being measured serves as the transformer's primary, while the 80I-600 serves as the secondary. Because of a high efficiency, quadrature type of winding, wire size and location of the conductor within the transformer jaws do not affect accuracy of the current measurement.

6-12. Specifications

Range: 2 to 600A ac.

Accuracy: $\pm 3\%$.

Frequency Response: 30 Hz to 1 kHz.

Division Ratio: 1000:1.

Insulation: 5 kV.

Maximum Conductor Size: 2-inch diameter.

6-13. HIGH VOLTAGE PROBE (80K-40)

6-14. Introduction

6-15. The Model 80K-40 extends the voltage measurement capability of the instrument up to 40 kV. Internally, the probe contains a special 1000:1 resistive divider. Metal-film resistor with matched temperature coefficients comprise the divider, and provide the probe with its excellent accuracy and stability characteristics. Also, an unusually high input impedance (1000 M Ω) minimizes circuit loading, and thereby contributes to measurement accuracy.

6-16. Specifications

Voltage Range: 1 kV to 40 kV dc or peak ac, 28 kV rms ac.

Input Resistance: 1000 M Ω .

Division Ratio: 1000:1.

Accuracy DC overall Accuracy: 20 kV to 30 kV $\pm 2\%$ (calibrated at 25 kV).

Upper Limit: Changes linearly from 2% at 30 kV to 4% at 40 kV.

Lower Limit: Changes linearly from 2% at 20 kV to 4% at 1 kV.

Accuracy AC (Overall): $\pm 5\%$ at 60 Hz.

6-17. HIGH FREQUENCY PROBE (81RF)

6-18. Introduction

6-19. The 81RF Probe extends the frequency range of the instrument voltage measurements capability to include 100 kHz to 100 MHz inputs from 0.25 to 30V rms. It

operates in conjunction with the 8022A dc voltage ranges, and provides a dc output that is calibrated to be equivalent to the rms value of a sine wave input.

6-20. Specifications

Frequency Response: ± 1 dB from 100 kHz to 100 MHz.

Extended Frequency Response: Useful for relative reading from 20 kHz to 250 MHz.

Response: Responds to peak value of input; calibrated to read rms value of a sine wave.

Voltage Range: 0.25 to 30V rms.

Maximum DC Input: 350V dc.

Input Impedance: 12 M Ω shunted by 15 pF.

6-21. HIGH FREQUENCY PROBE (82RF)

6-22. Introduction

6-23. The Model 82RF High Frequency Probe, Figure 6-1, allows measurements over a frequency range of 100 kHz to 500 MHz from 0.25 to 30V rms. It is designed to be used with voltmeters having an input impedance of 10 megohms $\pm 10\%$. It may be used with a voltmeter having an input impedance higher than 10 megohms provided the input is externally shunted to make the equivalent input impedance equal to 10 megohms.

6-24. Circuitry within the 82RF consists of a capacitor-coupled rectifier circuit which responds to the peak value of the input waveform. The output is positive polarity dc which is calibrated to be equivalent to the rms value of a sine wave.

6-25. Specifications

Frequency Response: 3 dB from 100 kHz to 500 MHz.

Extended Frequency Response: Useful for relative readings from 20 kHz to 700 MHz.

Response: Responds to peak value of input; calibrated to read rms value of a sine wave.

Voltage Range: 0.25 to 30V rms.

Maximum DC Input: 200V dc.

Input Impedance: 2 M Ω shunted by 4 pF.

6-26. BATTERY ELIMINATOR (A81)

6-27. The A81 Battery Eliminator converts the 8022A from battery to ac-line operation. It is available in a variety of line-power configurations, as shown in Table 6-1. When connected to the 8022A, it effectively removes and replaces the output of the 8022A's battery.

WARNING

DO NOT SUBSTITUTE A CALCULATOR TYPE BATTERY ELIMINATOR FOR THE A81. THESE UNITS DO NOT PROVIDE THE PROTECTION NECESSARY FOR COMMON MODE MEASUREMENTS UP TO 500V DC. ALWAYS USE THE MODEL A81 FOR AC-LINE OPERATION.

Table 6-1. A81 Model vs Input Power

MODEL NO.	INPUT POWER
A81-100	100V ac $\pm 10\%$, 48 to 62 Hz
A81-115	115V ac $\pm 10\%$, 48 to 62 Hz
A81-230-1	230V ac $\pm 10\%$, 48 to 62 Hz (U.S. type plug)
A81-230	230V ac $\pm 10\%$, 48 to 62 Hz (European type plug)

6-28. CURRENT SHUNT (80J-10)**6-29. Introduction**

6-30. The Model 80J-10 Current Shunt extends the current measuring capability of your meter to 10 amps continuous (20 amps for periods not exceeding one minute) DC to 10 kHz at an accuracy of $\pm 0.25\%$ in excess of the voltmeter accuracy.

6-31. Specifications

Shunt: 10 amps at 100 mV.

Accuracy (18°C to 28°C):

DC to 10 kHz: $\pm 0.25\%$.

10 kHz-100 kHz: Rising to 1 dB at 100 kHz typical.

Temperature Coefficient: 0.005%/°C.

Inductance: 8.3 nH in series w/0.01 Ω shunt.

Overload: Up to one minute at 20A with a 1/4 duty cycle for recovery after currents between 10A and 20A.

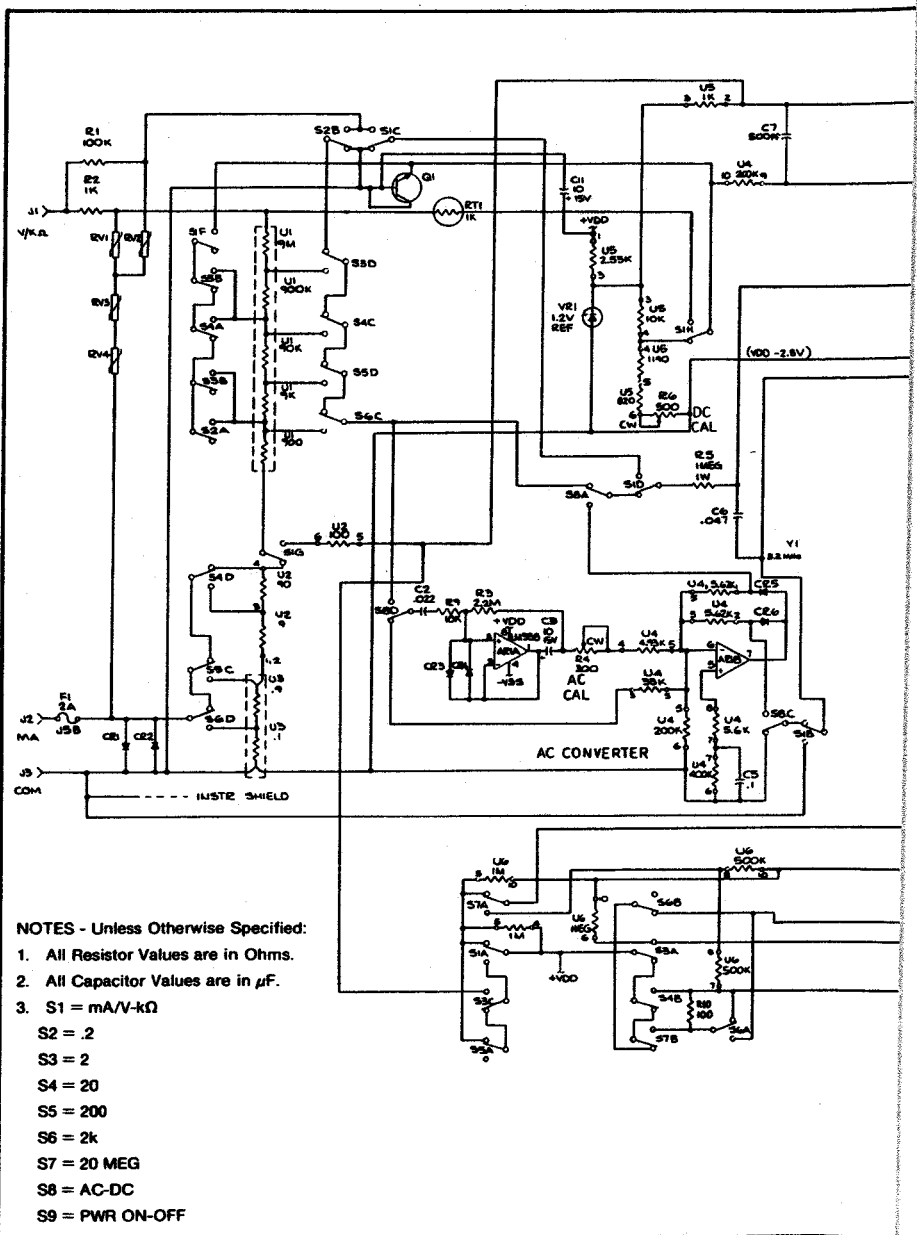
Connects to: 3/4 inch center banana jacks.

Connectors: 5-way binding posts (red and black).

Section 7 Schematic Diagrams

TABLE OF CONTENTS

FIGURE	TITLE	PAGE
7-1.	A1 Main PCB Assembly	7-3



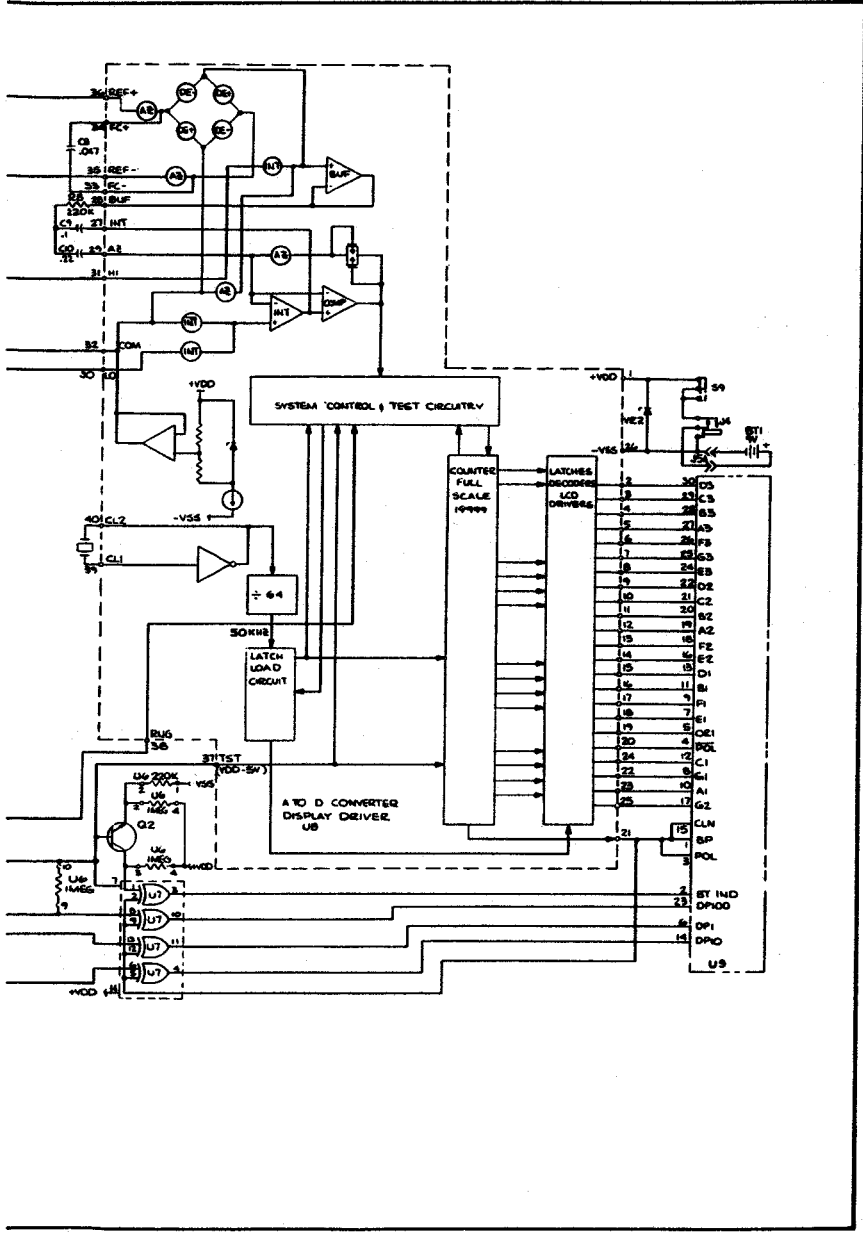


Figure 7-1. A1 Main PCB Assembly

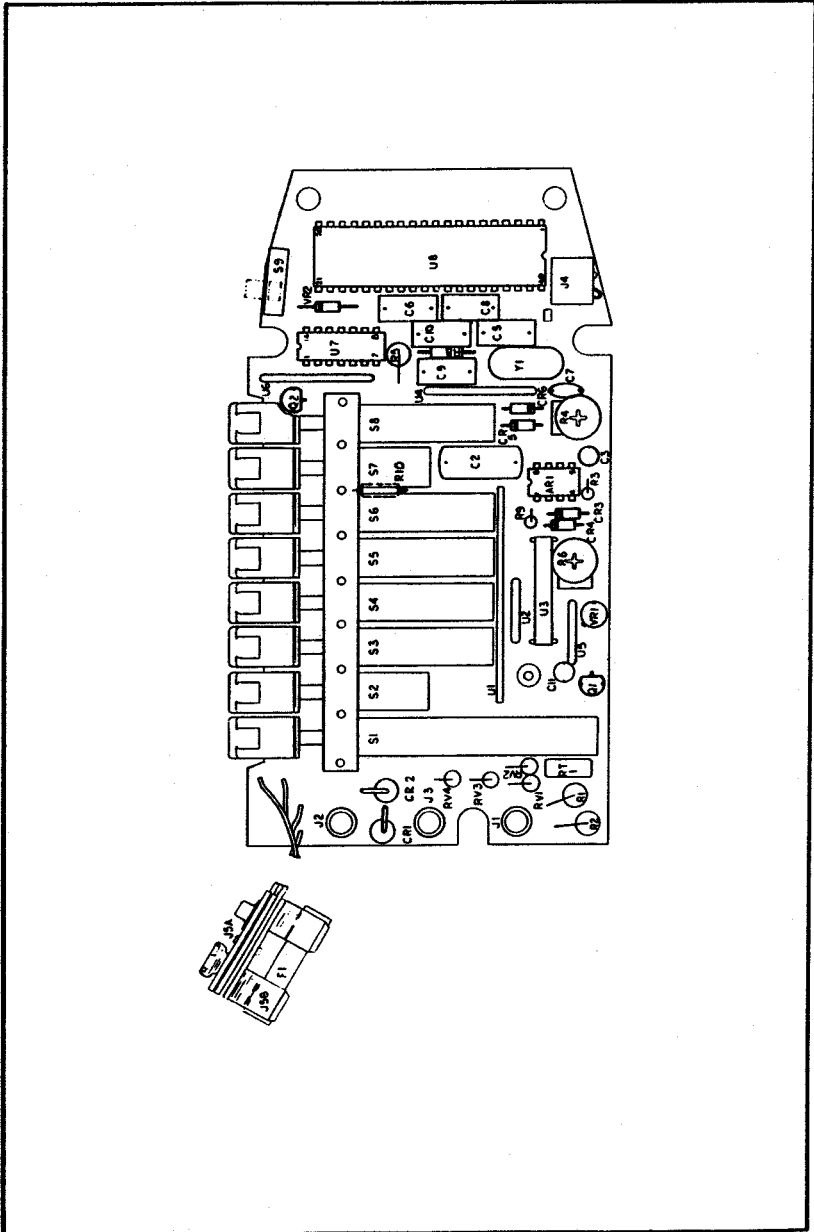


Figure 7-1. Main PCB Assembly (cont)

Appendix A Manual Change and Backdating Information

INTRODUCTION

This appendix contains information necessary to backdate the manual to conform with earlier pcb configurations. To identify the configuration of the pcb's used in your instrument, refer to the revision letter (marked in ink) on the component side of each pcb assembly. Table A-1 defines the assembly revision levels documented in this manual.

NEWER INSTRUMENTS

As changes and improvements are made to the instrument, they are identified by incrementing the revision letter marked on the affected pcb assembly. These changes are documented on a supplemental change/errata sheet which, when applicable, is inserted at the front of the manual.

OLDER INSTRUMENTS

To backdate this manual to conform with earlier assembly revision levels, perform the changes indicated in Table A-1.

CHANGES

There are no backdating changes at this printing. All pcb assemblies are documented at their original revision level.

Table A-1. Manual Status and Backdating Information

Ref Or Option No.	Assembly Name	Fluke Part No.	* To adapt manual to earlier rev configurations perform changes in descending order (by no.), ending with change under desired rev letter																
			-	A	B	C	D	E	F	G	H	J	K	L	M	N	P		
A-3	8022A PCB Assembly	515528	X																

- * X = The PCB revision levels documented in this manual
- = These revision letters were never used in the instrument.
- = No revision letter on the PCB.

LIMITED WARRANTY

The JOHN FLUKE MFG. CO., INC., warrants each voltmeter it manufactures to be free from defects in material and workmanship under normal use and service for the period of 1 year from date of purchase. This warranty extends only to the original purchaser. This warranty shall not apply to fuses, disposable batteries (rechargeable type batteries are warranted for 90-days), or any product or parts which have been subject to misuse, neglect, accident or abnormal conditions of operations.

In the event of failure of a product covered by this warranty, John Fluke Mfg. Co., Inc., will repair and calibrate an instrument returned to an authorized Service Facility within 1 year of the original purchase; provided the warrantor's examination discloses to its satisfaction that the product was defective. The warrantor may, at its option, replace the product in lieu of repair. With regard to any instrument returned within 1 year of the original purchase, said repairs or replacement will be made without charge. If the failure has been caused by misuse, neglect, accident or abnormal conditions of operations, repairs will be billed at a nominal cost. In such case, an estimate will be submitted before work is started, if requested.

ANY IMPLIED WARRANTIES OF MERCHANTABILITY OR FITNESS FOR A PARTICULAR PURPOSE OR USE SHALL BE LIMITED TO A PERIOD OF TWELVE MONTHS FROM THE DATE OF PURCHASE. THE FOREGOING WARRANTY IS IN LIEU OF ALL OTHER EXPRESS WARRANTIES. JOHN FLUKE MFG. CO., INC. SHALL NOT BE LIABLE FOR ANY SPECIAL, INCIDENTAL OR CONSEQUENTIAL DAMAGES, WHETHER IN CONTRACT, TORT, OR OTHERWISE.

NOTE: Some states do not allow limitations on how long an implied warranty lasts, or the exclusion or limitation of incidental or consequential damages, so the above limitations or exclusion may not apply to you. This warranty gives you specific legal rights, and you may also have other rights which vary from state to state.

If any failure occurs, the following steps should be taken:

1. Notify the JOHN FLUKE MFG. CO., INC., or nearest Service facility, giving full details of the difficulty, and include the Model number, type number, and serial number. On receipt of this information, service data or shipping instructions will be forwarded to you.
2. On receipt of the shipping instructions, forward the instrument, transportation prepaid. Repairs will be made at the Service Facility and the instrument returned, transportation prepaid.

SHIPPING TO MANUFACTURER FOR REPAIR OR ADJUSTMENT

All shipments of JOHN FLUKE MFG. CO., INC., instruments should be made via United Parcel Service or "Best Way" prepaid. The instrument should be shipped in the original packing carton; or if it is not available, use any suitable container that is rigid and of adequate size. If a substitute container is used, the instrument should be wrapped in paper and surrounded with at least four inches of excelsior or similar shock-absorbing material.

CLAIM FOR DAMAGE IN SHIPMENT TO ORIGINAL PURCHASER

The instrument should be thoroughly inspected immediately upon original delivery to purchaser. All material in the container should be checked against the enclosed packing list. The manufacturer will not be responsible for shortages against the packing sheet unless notified immediately. If the instrument is damaged in any way, a claim should be filed with the carrier immediately. (To obtain a quotation to repair shipment damage, contact the nearest Fluke Technical Center.) Final claim and negotiations with the carrier must be completed by the customer.

The JOHN FLUKE MFG. CO., INC. will be happy to answer all application or use questions, which will enhance your use of this instrument. Please address your requests or correspondence to: JOHN FLUKE MFG. CO., INC., P.O. BOX 43210, MOUNTLAKE TERRACE, WASHINGTON 98043, ATTN: Sales Dept. For European Customers: Fluke (Nederland) B.V., Zevenheulenweg 53, Tilburg, The Netherlands.

* For European customers, Air Freight prepaid.

John Fluke Mfg. Co., Inc., S P.O. Box 43210 s Mountlake Terrace, Washington 98043

Rev. 9/78

CHANGE/ERRATA INFORMATION

ISSUE NO: 1 10/80

This change/errata contains information necessary to ensure the accuracy of the following manual. Enter the corrections in the manual if either one of the these conditions exist:

1. The revision letter stamped on the indicated PCB is equal to or higher than that given with each change.
2. No revision letter is indicated at the beginning of each change.

MANUAL

Title: 8022A Digital Multimeter
Print Date: April 1979
Rev. and Date: -----

C/E PAGE EFFECTIVITY

Page No.	Print Date
1	10/80
2	10/80
3	10/80
4	10/80
5	10/80

ERRATA #1

On page 1-4, replace the Relative Humidity spec. with the following:

Relative Humidity:

0 to 90% from 0°C to 35°C except 0 to 80% from 0°C to 35°C on 2 Mohm, 20 Mohm, and 200 nS ranges; 0 to 70% from 35°C to 50°C.

On page 5-3:

CHANGE: USA SOURCE|457291|89536|457291|
 TO: USA SOURCE|515510|89536|515510|

On page 5-4:

CHANGE: MP9|SHIELD|508101|89536|508101|1
 TO: MP9|SHIELD|453845|89536|453845|1

CHANGE #1 - 12630

Rev.- A, A1 Main PCB Assy. (8022A-4050)
 Documentation Change, does not affect the manual.

CHANGE #2 - 13121, 13175

Rev.- B, A1 Main PCB Assembly (8022A-4050)

On page 2-1:

CHANGE: 2-7. Battery Installation/Replacement
 TO: 2-7. Battery or Fuse Installation/Replacement

On page 2-2:

Change the first line of the WARNING:
 FROM: BATTERY REPLACEMENT SHOULD ONLY BE ...
 TO: BATTERY OR FUSE REPLACEMENT SHOULD ONLY BE ...

Replace step 4 with the following:

4. Tilt the battery out as shown in Fig. 2-2.

Add step 4a as follows:

4a. If fuse F1 is to be replaced, use a pointed tool, such as a probe tip or small screwdriver to pry F1 from its holder. Replace the defective fuse with type AGX2 (or with metric type 171100-2).

On page 2-3, replace Figure 2-2 with Figure 1.

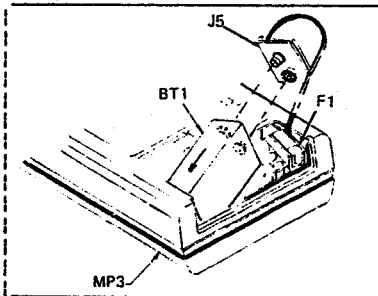


Figure 1.

On page 2-6, replace para. 2-18 with the following:

2-18. All ac and dc current ranges are fuse protected. Two series fuses are used: (1) F1, 2A @ 250V, replaceable at the battery compartment (see section 1 "Battery or Fuse Installation/Replacement") and in case of severe overload, (2) F2, 3A @ 600V, replaceable by removing the 8020A top cover (see section 4 "Fuse (F2) and Calibration Access").

NOTE

A pointed tool, such as a probe tip will be needed to pry either of the above mentioned fuses from their respective holders.

On page 4-2:

FROM: 4-9. CALIBRATION ACCESS

TO: 4-9. FUSE (F2) AND CALIBRATION ACCESS

FROM: 4-10. Use the following procedure to access the 8022A calibration adjustments.

TO: 4-10. Use the following procedure to access F2 and all 8022A calibration adjustments.

FROM: 6. All adjustments...

TO: 6. Fuse (F2), and all adjustments ...

On page 5-5, revise and add to figure 5-1 as shown in Figure 2.

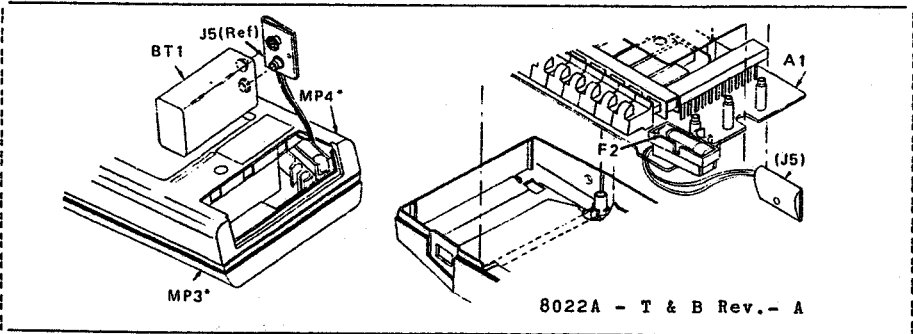


Figure 2.

On page 5-6:

ADD: F2|FUSE, 3 AMP/600V, TYPE BBS-3|475004|89536|475004|1

FROM: J5|CONTACT ASSEMBLY, BATTERY/FUSE|1
 AMERICAN VERSION|453910|89536|453910|
 METRIX VERSION|454413|89536|454413|

TO: J5|CONTACT ASSEMBLY|535278|89536|535278|1

On page 5-7:

- ADD: MP7|FUSE, SPRING (NOT SHOWN)|535211|89536|535211|1
- ADD: MP7-1|FUSE, SPRING, EUROPEAN (NOT SHOWN)|535229|89536|535229|1
- ADD: MP8|FUSE CLIP|534925|89536|534925|1
- ADD: MP9|FUSE, CLIP|535203|89536|535203|1

On page 5-8:

- ADD: XF2|FUSE CASE|540716|89536|540716|1

- CHANGE: U9|IC, LCD, 3 1/2 DIGITS|453100|89536|453100|1|1
- TO: U9|DISPLAY, LCD|504324|89536|504324|1

On page 5-9 & 7-4, revise and add to Fig. 5-2 & 7-1 as shown in Fig. 3.

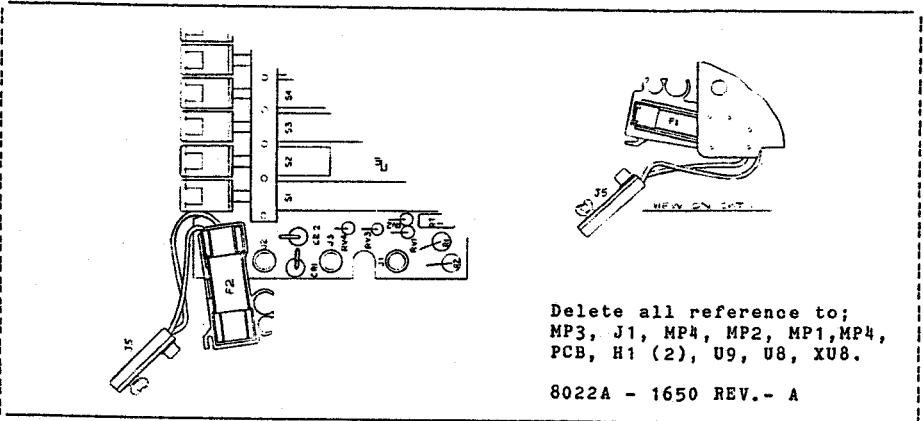
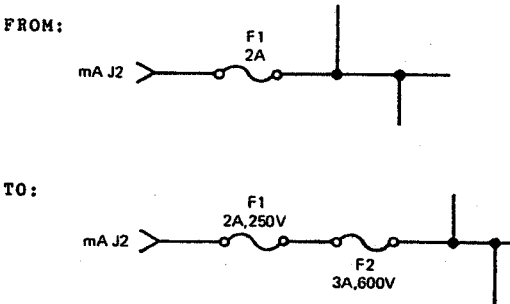


Figure 3.

On page 7-2:



CHANGE #3 - 13780
 Rev.- C, A1 Main PCB Assy. (8022A-4050)

On page 5-8:

CHANGE: U1|RESISTOR NETWORK (INPUT DIVIDER)|424085|89536|424085|1|1
 TO: U1|RESISTOR NETWORK (INPUT DIVIDER)|508945|89536|508945|1|1

CHANGE #4 - 14135
 Rev.- D, A1 Main PCB Assy. (8022A-4050)

On page 4-4:

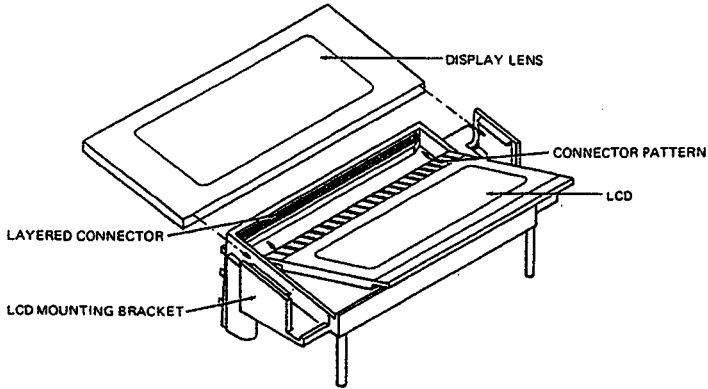
FROM: 4-13. DISPLAY ACCESS
 TO: 4-13. LCD ASSY. (WITH INTERCONNECT CABLE)

ADD: 4-14a. LCD ASSY. (WITHOUT INTERCONNECT CABLE)
 4-14b. Refer to Figure 4-1a and the following procedure to remove/replace the LCD assembly.

1. Remove the Main PCB assembly using the COMPONENT/PCB access procedure.
2. Place your thumbs on either side of the display lens and carefully push the lens out of the LCD bracket.
3. Turning LCD bracket upside down gently tap into your palm, LCD should fall out.

NOTE

When installing the LCD make certain that its flat surface is facing out and its connector pattern is on top of and makes contact with, the flexible layered connector (requires loosening the LCD mounting bracket).



LCD ASSEMBLY

Figure 4-1a

On page 5-6, delete J1, and H1.

On page 5-8, delete U8, U9 and XU8.

Replace page 5-7 with the following:

LCD ASSY. - WITH INTERCONNECT CABLE, - (SEE DETAIL A)				
H1	SCREW, PHP 3/8, HI-LO THD/FORM	448456	89536	448456 2
J1	CONNECTOR, ELASTOMERIC	453092	89536	453092 1
MP1	BRACKET, DISPLAY (U9), MOUNTING	450734	89536	450734 1
MP2	DISPLAY, INTERCONNECT	453746	89536	453746 1
MP3	DISPLAY, LENS, PLASTIC	450759	89536	450759 1
MP4	INSERT, RUBBER, DISPLAY BRACKET	453787	89536	453787 2
U8	IC, MOS, A/D CONVERTER, DISPLAY DRIVER	429100	89536	429100 1 1
U9	IC, LCD, 3 1/2 DIGITS	504324	89536	504324 1 1
XU8	SOCKET, IC, 40-PIN	429282	89536	429282 1

LCD ASSY. - WITHOUT INTERCONNECT CABLE, - (SEE DETAIL B)				
MP9	BRACKET, LCD MOUNTING	531657	89536	531657 1
MP10	DISPLAY LENS	450759	89536	450759 1
MP11	DISPLAY, LCD	504324	89536	504324 1
MP12	BRACKET, LCD PLATE	531665	89536	531665 1
MP13	CONNECTOR, LAYERED	520858	89536	520858 1
H3	SCREW, PHP 3/8, HI-LO THD/FORM	448456	89536	448456 REF

MP5 THROUGH RV1, NO CHANGE.

On page 5-5, revise and add to Figure 5-1 as shown in Figure 5.

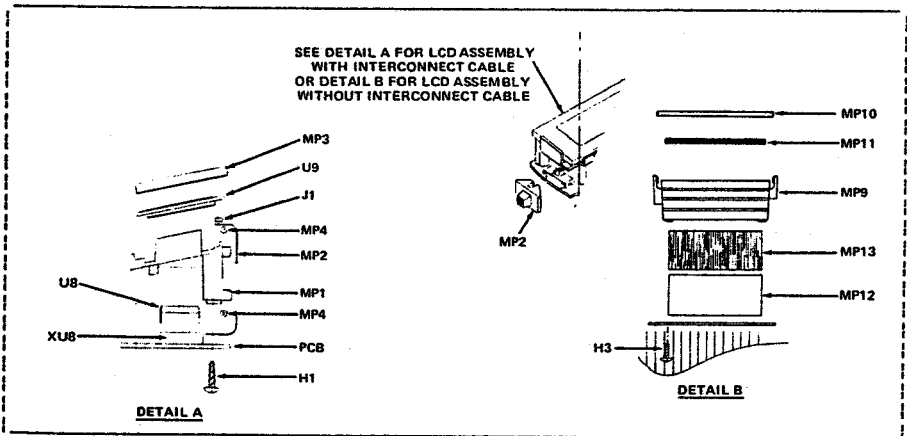


Figure 5.